

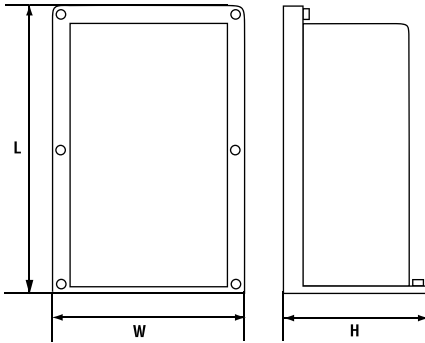
Weather Shield for NV Series Actuator with G2/G3, G6, G7 and G6C Globe Valves



Application

The ZS-NV-10... weather shield provides moderate protection for valves which are mounted outdoors. This product is not designed as a water tight enclosure. The smoke tinted housing offers easy mounting over the NV Series actuator while allowing easy viewing of the actuator in operation.

Specifications	
Cover	PETG with UV resistant smoke tint
Plate	Galvaneal w/black powder coat
Gasket	PVC Closed Cell Foam
Perimeter Gasket	Open Cell Foam
Screws	Stainless Steel
Fasteners	Nylatch type
Temperature limitations	-22°F to 122°F [-30°C to 50°C]

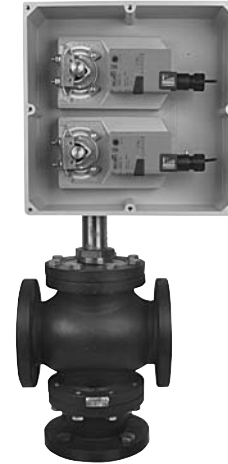


Dimensions (Inches [mm])

Part Number	L	W	H
ZS-NV-10	9.80" [250]	6.50" [165]	4.90" [125]

Part Number	For Actuator
ZS-NV-10	All NV Series

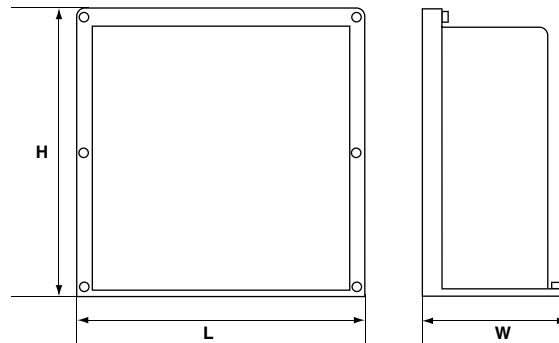
Weather Shield for Rotary Series Actuator with G2/G3, G6/G7 and G6C Globe Valves



Application

The ZS-SPGV Weather shields provide moderate protection for valves which are mounted outdoors. This product is not designed as a water tight enclosure. The ZS-SPGV are used with G6/G7 series valves.

Specifications	
Cover	Poly Vinyl Chloride (PVC)
Perimeter Gasket	BUNA
Screws	Brass
Temperature limitations	-22°F to 122°F (-30°C to 50°C)



Dimensions (Inches [mm])

Part Number	For Actuator	L	W	H
ZS-SPGV-10	Dual AF series on Flanged Globe Valve	12" [305]	4" [102]	12" [305]
ZS-SPGV-20	Single AF series on Flanged Globe Valve	12" [305]	4" [102]	12" [305]
ZS-SPGV-30	Single AM Series on Screwed Globe Valve	12" [305]	4" [102]	12" [305]
ZS-SPGV-40	Single GM series on Flanged Globe Valve	12" [305]	4" [102]	12" [305]
ZS-SPGV-50	Dual GM series on Flanged Globe Valve	12" [305]	4" [102]	12" [305]
ZS-SPGV-20	NF/AF Series on Screwed Globe Valve	12" [305]	4" [102]	12" [305]
ZS-SPGV-60	LF Series on Screwed Globe Valve	8" [203]	4" [102]	8" [203]
ZS-SPGV-70	LM Series on Screwed Globe Valve	8" [203]	4" [102]	8" [203]
ZS-SPGV-80	NM Series on Screwed Globe Valve	8" [203]	4" [102]	8" [203]

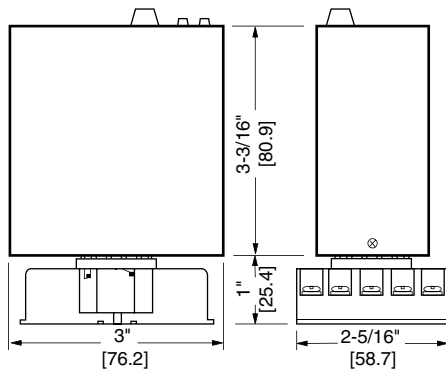
M40026 - 07/10 - Subject to change. © Belimo Aircontrols (USA), Inc.

Battery Back-up Module NSV24



Technical Data	
Power supply	24 VAC \pm 20% 50/60 Hz
Fusing	4A slow blow fuse
Power consumption	Min. 5W (without actuator load)
Transformer	8 VA
Batteries	24 V Nominal 1.2 Ah (2-12 volt lead-acid batteries; batteries not supplied with module)
Maintenance	The batteries should be checked annually (approximate life is 6 years)
Charging circuit	Charge current max. 150 mA Charge voltage 24-27 V, temperature compensated
Battery back-up operation	24 V nominal 1.2 Ah, max. 60 W auto shut off after 250 seconds
Indication LED	Green - Main power source operation (battery will be charged) Red - Battery back-up operation
Mounting	Mounted in the control panel with an 11 terminal plug-in base (not supplied with module)
Ambient temperature	14°F to 122°F [-10°C ... 50°C]

Dimensions (Inches [mm])



Application

Several Belimo damper actuators can be used either with 24 VAC or 24 VDC.

In case of a power failure, the NSV24 battery back-up unit switches the damper actuator from its main AC power supply over to the 24 VDC battery to drive the actuators to their safety position.

For easy maintenance, the battery back-up system is placed in the control panel, not in the actuator. Several actuators may be powered by one back-up module. The batteries are separate from the NSV24.

Operation

The NSV24 is connected to the same 24 VAC power source as the damper actuators. It also charges the 24 V (2-12 volt batteries) storage battery. Its charge current is limited to 150 mA maximum, and the maximum charge voltage is temperature compensated.

In case of a power failure, the NSV24 switches immediately over to the battery power source, and according to the control function, the actuators will move to their safety position. After 250 seconds, the batteries are disconnected from the actuators to prolong battery life. Because of this, a safe battery back-up can be provided for several short-term failures. The main power source operation is indicated by a green LED, and the battery power source by a red LED.

Connectable Actuator Models	Maximum per module
GMB24-3X1	20
GMX24-3	15
GMX24-MFTX1	15
GMB24-SR	15
AMB24-3	30
AMX24-MFT	30
AMB24-SR	30
NMB24-3	30
NMX24-MFT	30
NMB24-SR	30
LMB24-3	30
LMX24-MFT	30
LMB24-SR	30

Accessories

NSV-BAT	12 VDC 1.2 Ah battery (2 required)
---------	------------------------------------

Wiring Diagram

