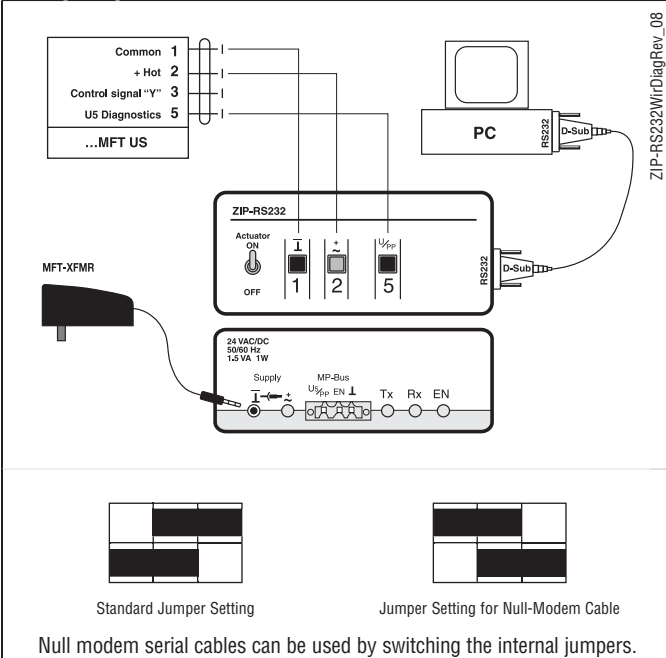




ZIP-RS232

Technical data		ZIP-RS232 US
Supply voltage		24 VAC; Class II power supply
Power consumption		1 W / 1.5 VA (without actuator)
Electrical protection		MFT-XFMR is internally protected and automatically resets
Connections	Power supply	Stereo connector
	Actuator	Manual push button terminals
	MP-Bus	Orange male connector, ZKS-MP (Optional)
	RS232	PC cable, sub-D, 9 pin, female/female, included
Ambient temperature		0° to 122°F
Storage temperature		-40°F to 176°F
Electrical safety		Class III
Weight		<1.0 lb. (without actuator)

Wiring Diagram



Application

The ZIP-RS232 is used with the Belimo PC-Tool software (MFT-P US) to interface all Multifunctional (...MFT US) type actuators via an RS232 port. Monitoring and parameterization of one MFT actuator is enabled.

The ZIP-RS232 can also be used to interface the MFT actuators functionality via the UK24LON.

Connection and Operation

Wiring Terminals

The ...MFT US actuator wires are connected to the terminals and correspond to the conductor wire designations. Some actuators are color coded and do not have numbered conductors. The following indications should be used:

- 1 = Black
- 2 = Red
- 5 = Orange (non-spring, TF)
Green (LF)
White (AF, NF)

Switch

The Actuator On/Off switch on the ZIP-RS232 applies 24 VAC power to the connected actuator. The ZIP-RS232 is powered when the MFT-XFMR is plugged into a power receptacle.

RS232 Connector

The ZIP-RS232 is connected via this RS232 connector to the PC with a standard female-female 9-pin sub-D cable, provided.

Power Supply

The MFT-XFMR accessory transformer is connected to the unit, and supplies 24 VAC power to the ZIP-RS232 and up to one connected actuator.

Power LED

A Green LED is lit when 24 VAC is supplied.

MP-Bus Connector

This connection is used only with the UK24LON or another MP-Master device.

Terminal Designations

U/PP: Data communications lead EN: Enabling signal for UK24LON

MP-Bus LED's

Tx: LED flashes when data flows from ZIP-RS232 to the ...MFT US actuator.

Rx: LED flashes when data flows from ...MFT US actuator to ZIP-RS232

EN: LED is lit constantly when RS232 device is connected.

(E.g. PC is connected to ZIP-RS232)

Accessories

MFT-XFMR Power transformer

ZKS-MP MP-bus cable for use with UK24LON