



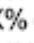

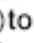

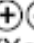
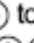
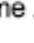


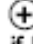

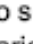
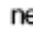
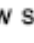
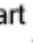
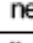
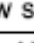
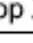



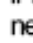
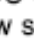
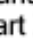

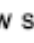
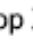







ZTH-GEN US Label Instructions

ZTH-GEN US	AC/DC 24V	 Supply
Type: MFT, LON; MP	Communication is PP only	
Configuration	Press  while connecting the power	
 	Actuator Model min XX%   to change,  to set max XX%   to change,  to set Run.time XXs   to change,  to set	
	Ctl (Control Signal)   to select  to set if DC variable is selected new start XXV   ,  to set new stop XXV   ,  to set	
	Fb. U5 (Feedback)   to select  to set if DC variable is selected new start XXV   ,  to set new stop XXV   ,  to set	
	Actual Value XX%  to close  to open address PP  to change to MPX Messages Start PICCV Process  for YES,  for NO	
VAV + PICCV Programming - see instructions		