



Application

This valve is typically used in air handling units on heating or cooling coils, and fan coil unit heating or cooling coils. Some other common applications include Unit Ventilators, VAV box re-heat coils and bypass loops. This valve is suitable for use in a hydronic system with variable flow.

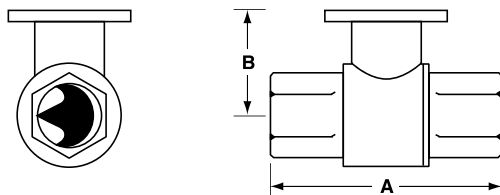
Technical Data	
Service	chilled or hot water, 60% glycol
Flow characteristic	A-port equal percentage
Action	90° rotation
Sizes	½", ¾"
Type of end fitting	NPT female ends
Materials:	
Body	forged brass, nickel plated
Ball	chrome plated brass
Stem	nickel plated brass
Seats	PTFE
Characterizing disc	Tefzel®
Packing	2 EPDM O-rings, lubricated
Body pressure rating	600 psi
Media temp. range	0°F to 212°F [-18°C to 100°C]
Close off pressure	200 psi
Maximum differential pressure (ΔP)	30 psi for typical applications
Leakage	0% for A to AB
External leakage	according to EN 12266-1:2003
C _v rating	A-port: see product chart for values

Tefzel® is a registered trademark of DuPont

C _v	Valve Nominal Size		Type	Suitable Actuators			
	Inches	DN [mm]		Non-Spring		Spring	
0.3	½"	15	B207B	TR Series	LR Series	TF Series	LF Series
0.46	½"	15	B208B				
0.8	½"	15	B209B				
1.2	½"	15	B210B				
1.9	½"	15	B211B				
3	½"	15	B212B				
4.7	½"	15	B213B				
7.4	½"	15	B214B				
10	½"	15	B215B*				
4.7	¾"	20	B217B				
7.4	¾"	20	B218B				
10	¾"	20	B219B				
24	¾"	20	B220B*				

*Models without characterizing disc

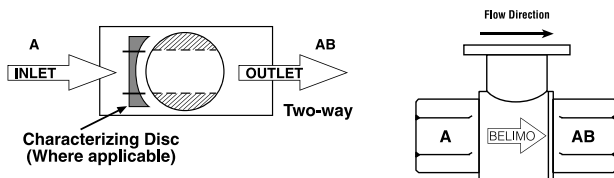
Dimensions



2WayValve-B207-B220

Valve Body	Valve Nominal Size		Dimensions (Inches [mm])	
	Inches	DN [mm]	A	B
B207B-B211B	½"	15	2.41" [61.1]	1.39" [35.2]
B212B-B215B	½"	15	2.38" [60.4]	1.78" [45.2]
B217B-B220B	¾"	20	2.73" [69.3]	1.87" [47.4]

Flow Patterns



M40013 - 06/11 - Subject to change. © Belimo Aircontrols (USA), Inc.



Models

TFX24 US TFX120 US
 TFX24-S US TFX120-S US w/built-in Aux. Switch

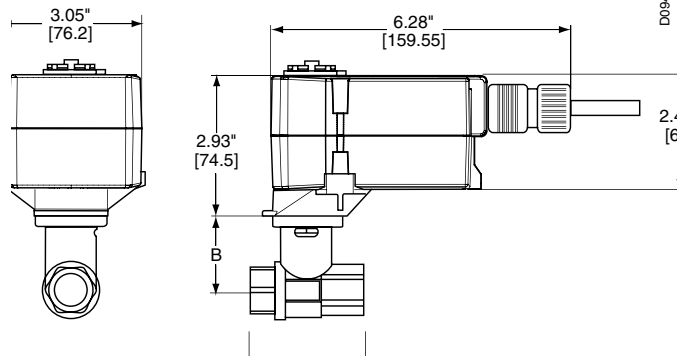
Technical Data		
Control		on/off
Power supply		24VAC ± 20%, 50/60Hz
TFX24(-S) US		24VDC ± 10%
TFX120(-S) US		(nominal) 100 to 240 VAC, 50/60 Hz (tolerance) 85 to 265 VAC, 50/60 Hz
Power consumption	running	2.5 W
	holding	1.3 W
Transformer sizing		5 VA (class 2 power source)
TFX24(-S) US		5 VA (class 2 power source)
TFX120(-S) US		5 VA (class 2 power source)
Electrical connection		1/2" conduit connector
(-S models have 2 cables)		18 GA appliance cable
TFX... US		3 ft [1m]
TFX... /300 US		10 ft [3m]
TFX... /500 US		16 ft [5m]
Overload protection		electronic throughout 0° to 95° rotation
Angle of rotation		95°
Torque		min. 18 in-lb [2 Nm]
Direction of rotation		reversible with protected mounting
Position indication		visual indicator, 0° to 95°
Running time	motor	<75 seconds (0 to 18 in-lb)
	spring	<75 sec @ -22°F to 122°F [-20°C to 50°C]
Humidity		5 to 95% RH non-condensing
Ambient temperature		-22°F to 122°F [-30°C to 50°C]
Storage temperature		-40°F to 176°F [-40°C to 80°C]
Housing		NEMA type 2/IP42
Housing material		UL94 - 5VA
Agency listings†		cULus according to UL 60730-1A/-2-14, CAN/CSA E60730-1:02, CE according to 2004/108/EC and 2006/95/EC for line voltage and/or -S versions
Noise level (max)	running	<40 db (A)
	spring return	<40 dB (A)
Quality standard		ISO 9001

TFX...-S

Auxiliary switch 1 x SPDT, 3A (0.5A) @ 250 VAC, UL Listed adjustable 0° to 95°

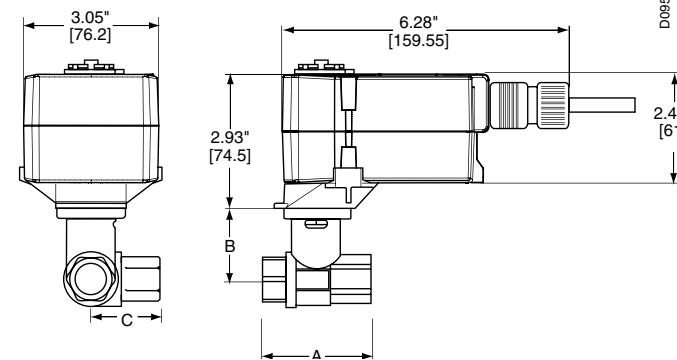
† Rated impulse voltage 800V (4kV for 120V model), Control pollution degree 3, Type of action 1.AA (1.AA.B for -S models)

Dimensions with 2-Way Valve



Valve Body	Valve Nominal Size		Dimensions (Inches [mm])	
	Inches	DN [mm]	A	B
B207(B)-B211(B)	1/2"	15	2.41" [61.1]	1.39" [35.2]
B212(B)-B215(B)	1/2"	15	2.38" [60.4]	1.78" [45.2]
B217(B)-B220(B)	3/4"	20	2.73" [69.3]	1.87" [47.4]

Dimensions with 3-Way Valve



Valve Body	Valve Nominal Size		Dimensions (Inches [mm])		
	Inches	DN [mm]	A	B	C
B307(B)-B311(B)	1/2"	15	2.41" [61.1]	1.39" [35.2]	1.20" [30.6]
B312(B)-B315(B)	1/2"	15	2.38" [60.4]	1.78" [45.2]	1.29" [32.8]
B317(B)-B320(B)	3/4"	20	2.73" [69.3]	1.87" [47.4]	1.47" [37.3]

IM40013 - 06/11 - Subject to change. © Belimo Aircontrols (USA), Inc.

Wiring Diagrams

✂ **INSTALLATION NOTES**



CAUTION Equipment damage!

Actuators may be connected in parallel.
Power consumption and input impedance must be observed.



Actuators may also be powered by 24 VDC.



APPLICATION NOTES



Meets cULus or UL and CSA requirements without the need of an electrical ground connection.



WARNING Live Electrical Components!

During installation, testing, servicing and troubleshooting of this product, it may be necessary to work with live electrical components. Have a qualified licensed electrician or other individual who has been properly trained in handling live electrical components perform these tasks. Failure to follow all electrical safety precautions when exposed to live electrical components could result in death or serious injury.

