

B3...VS Series, 3-Way, Ball Valve Bronze Body, Stainless Steel Ball and Stem



- 316 Stainless Ball and Stem
- Reinforced PTFE seats and stuffing box
- Blow-out proof stem design
- Adjustable packing gland

Application

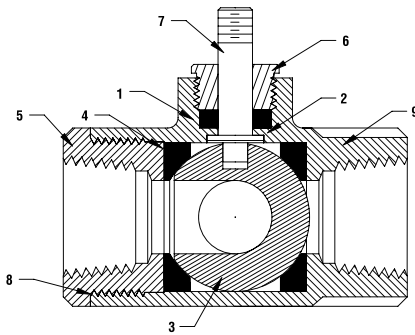
These threaded valves are designed to provide modulating or two position control of hot or chilled water.

Typical applications include reheat coils, VAV terminal control, unit ventilators, and air handlers, especially in areas which have minimum profile requirements.

- 400 PSIG WOG, Cold Non-Shock

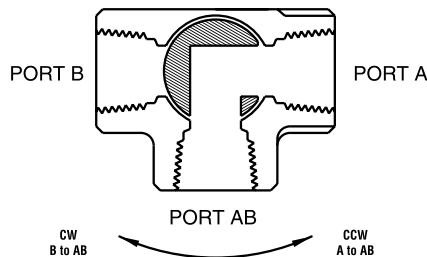
Technical Data	
Media	chilled or hot water, glycol
Flow characteristic	modified equal percentage
Action	90° rotation A to AB open CCW, B to AB open CW
Sizes	½", ¾", 1", 1¼", 1½", 2"
Type of end fitting	SAE NPT (female connection)
Materials:	
1 Stem Packing	PTFE
2 Stem Bearing	PTFE
3 Ball	316 Stainless Steel
4 Seat (x2)	PTFE w/ Durafill
5 Retainer	B16 (½" - 1") Brass B584 (1¼" - 2") Brass
6 Gland	ASTM B16 Brass
7 Stem	316 Stainless steel
8 Jam Nut	PTFE (1¼" - 2")
9 Body Seal	B584-C84400 Bronze

C _v	Valve Nominal Size		Type	Suitable Return Actuators		
	Inches	DN (mm)		Spring		Non-Spring
4.8	½	15	B315VS	LF	NF	LM
11	¾	20	B320VS	NF		NM Series
21	1	25	B325VS	AF Series		
33	1¼	32	B332VS			AM
49	1½	40	B340VS			GM Series
91	2	50	B350VS			

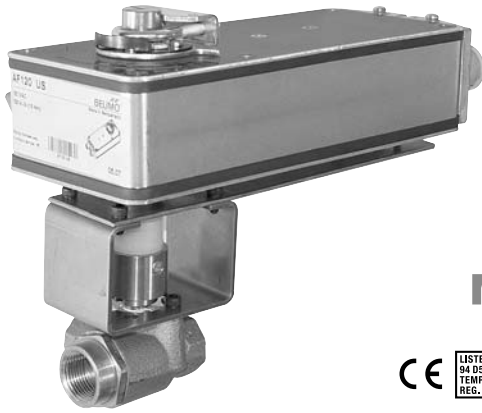


Pressure rating	400 psig WOG
Media temp. range	-22°F to 250°F (-30°C to 120°C)
Close-off pressure	400 psig @ 100°F
Maximum differential pressure (ΔP)	<75 psig

Flow Patterns



IM40006 - 05/10 - Subject to change. © Belimo Aircontrols (USA), Inc.



MFT

2
YEAR
WARRANTY



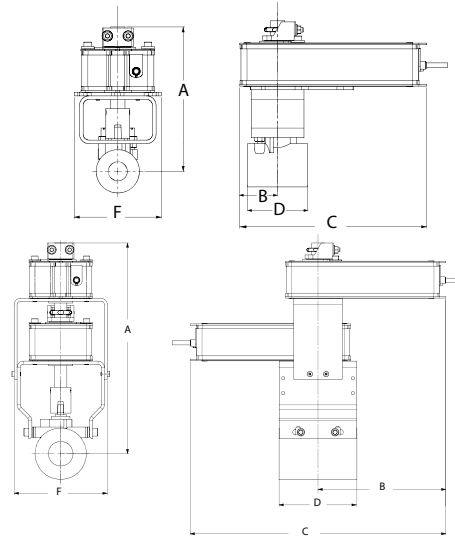
Models

AF24-MFT US
 AF24-MFT-S US w/built-in Aux. Switches
 AF24-MFT95 US

Technical Data	
Control	MFT
Control signal	2 to 10 VDC, (4 to 20 mA with 500 Ω resistor) 0-135 Ω (MFT95)
Power supply	24 VAC ± 20% 50/60 Hz 24 VDC ± 10%
Power consumption	running 6 W
	holding 2.5 W
Transformer sizing	10 VA, class 2 power
Electrical connection (-S model has 2 cables)	½" conduit connector 3 ft [1m], 18 GA appliance cable
Overload protection	electronic throughout rotation
Input impedance	100 kΩ for 2 to 10 VDC (0.1 mA) 500 Ω for 4 to 20 mA 750 Ω for PWM 1500 Ω for on/off and floating point
Feedback output	2 to 10 VDC, 0.5 mA max
Angle of rotation	95°
Direction of rotation	spring reversible with CW/CCW mounting
	motor reversible with built-in ↻/↺ switch
Position indication	visual indicator
Manual override	hex crank
Running time	control 150 seconds independent of load
	spring <20 seconds
Ambient temperature	-22° F to 122° F [-30° C to 50° C]
Housing	NEMA 2 / IP54
Agency listings	UL 873, CSA C22.2 No. 24 certified, CE
Noise level	max. 45 dB(A)
AF24-MFT-S US	
Auxiliary switches	2 x SPDT, 7A (2.5A) @ 250 VAC, UL listed, one switch is fixed at +5°, one is adjustable 25° to 85° (double insulated)

* Dual Mounted Actuators

Dimensions with 2-Way Valve

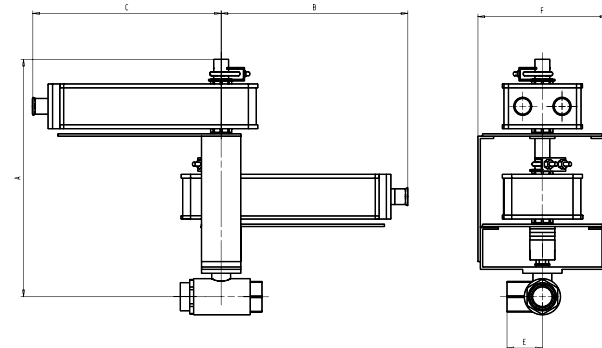


D301, D304

Valve Nominal Size Dimensions (Inches)

Valve Body	COP	Inches	DN [mm]	A	B	C	D	F
B2100VS-68	200	1	25	8.00	2.00	8.00	3.60	4.60
B2125VS-48	100	1¼	32	8.00	2.00	8.00	4.00	4.60
B2150VS-84	200	1½	40	8.00	2.00	8.00	4.40	4.60
B2200VS-108	200	2	40	8.00	2.00	8.00	4.70	4.60
2*B2150VS-177	400	1½	50	14.00	8.00	15.57	4.80	5.60
2*B2200VS-389	100	2	20	14.00	8.00	15.57	5.40	5.60
B2125VSS-48	1000	1¼	25	8.00	2.00	8.00	4.00	4.60
B2150VSS-84	1000	1½	32	13.00	2.00	8.00	4.40	4.60
B2200VS-108	400	2	40	8.00	3.00	8.00	5.50	4.60
B2200VSS-108	1000	2	50	14.00	8.00	8.00	5.50	5.60
2*B2250VSS-503	200	2½	50	14.00	8.00	15.57	6.80	4.60
2*B2300VSS-370	200	3	80	14.00	8.00	15.57	6.80	5.60

Dimensions with 3-Way Valve



B025VS2AF PS

Valve Nominal Size Dimensions (Inches)

Valve Body	COP	Inches	DN [mm]	A	B	C	D	E	F
B320VS	200	¾	20	7.00	8.00	8.00	3.56	1.88	3.86
B325VS	75	1	25	7.00	8.00	8.00	3.56	1.88	3.86
B332VS	75	1¼	32	7.00	8.00	8.00	4.13	2.07	6.25
*B325VS	200	1	25	15.00	8.00	8.00	3.56	1.88	3.86
*B332VS	200	1¼	32	15.00	8.00	8.00	4.13	2.07	6.25
*B340VS	75	1½	40	15.00	8.00	8.00	4.44	2.25	6.25
*B350VS	75	2	50	15.00	8.00	8.00	5.38	2.75	6.25

M40006 - 05/10 - Subject to change. © Belimo Aircontrols (USA), Inc.

Wiring Diagrams

INSTALLATION NOTES

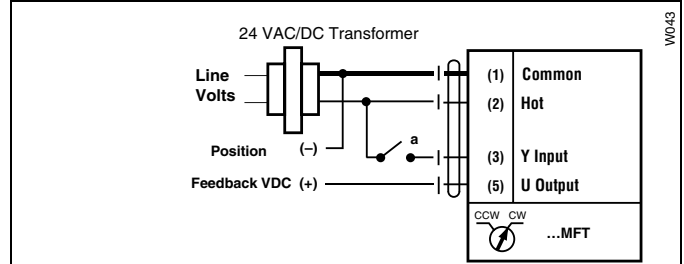
- 2 **CAUTION Equipment damage!**
Actuators may be connected in parallel if not mechanically mounted to the same shaft. Power consumption and input impedance must be observed.
- 3 Actuators may also be powered by 24 VDC.
- 4 IN4004 or IN4007 diode (IN4007 supplied, Belimo part number 40155).
- 5 Triac A and B can also be contact closures.
- 6 Control signal may be pulsed from either the Hot (Source) or Common (Sink) 24 VAC line.
- 7 Position feedback cannot be used with Triac sink controller. The actuators internal common reference is not compatible.

APPLICATION NOTES

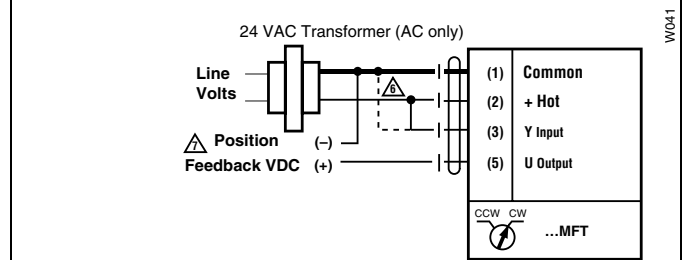
- ◆ The ZG-R01 500 Ω resistor converts the 4 to 20 mA control signal to 2 to 10 VDC, up to 2 actuators may be connected in parallel.
- ◆ Meets cULus or UL and CSA requirements without the need of an electrical ground connection.

WARNING Live Electrical Components!
During installation, testing, servicing and troubleshooting of this product, it may be necessary to work with live electrical components. Have a qualified licensed electrician or other individual who has been properly trained in handling live electrical components perform these tasks. Failure to follow all electrical safety precautions when exposed to live electrical components could result in death or serious injury.

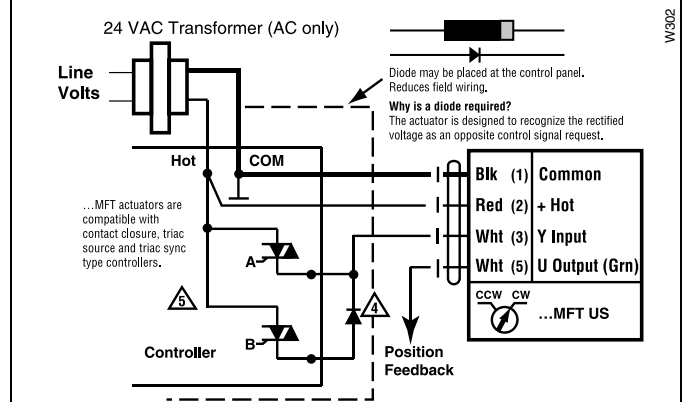
M40006 - 05/10 - Subject to change. © Belimo Aircontrols (USA), Inc.



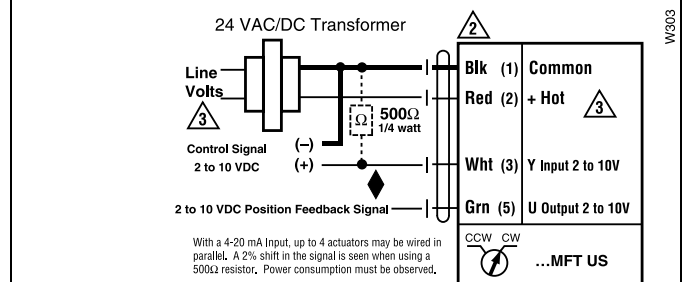
On/Off control



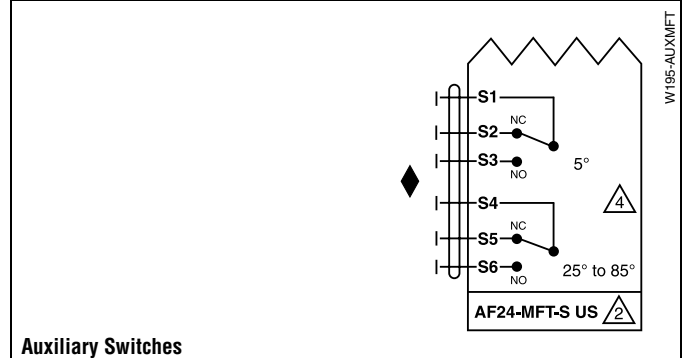
PWM, triac source and sink



Floating Point control



Proportional 2 to 10 or 4 to 20 mA control signal



Auxiliary Switches

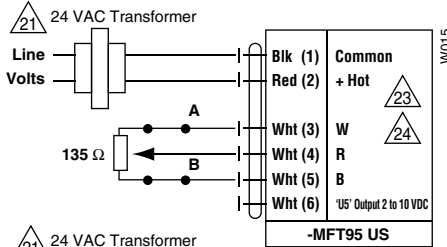
INSTALLATION NOTES

- 21 Provide overload protection and disconnect as required.
- 22 Actuators and controller must have separate transformers.
- 23 Consult controller instruction data for more detailed information.
- 24 Resistor value depends on the type of controller and the number of actuators. Honeywell® resistor kits may also be used.
- 25 To reverse control rotation, use the reversing switch.

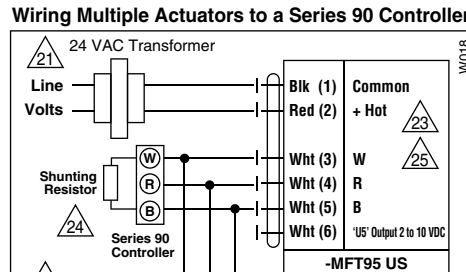
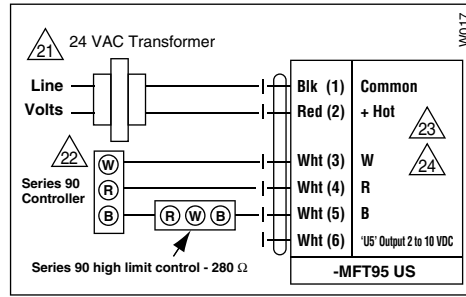
Override

Switch A	Switch B	Damper Position
		Damper Open
		Damper Closed

The direction of rotation switch is set so that the fail safe position and the position of the damper is closed with no signal at wire R.



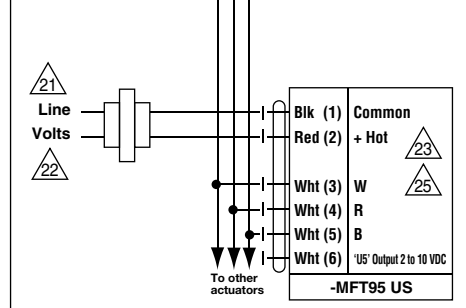
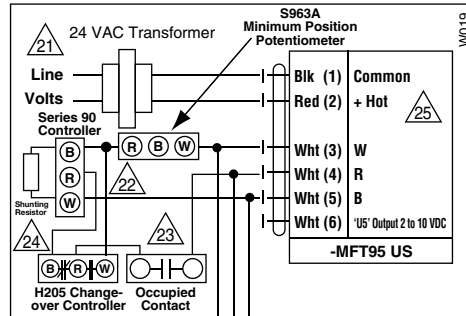
High Limit Control



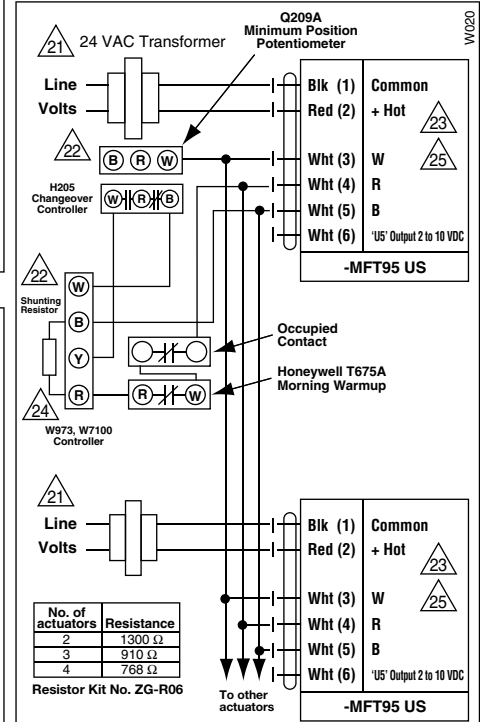
No. of actuators	Resistance
2	140 Ω
3	71.5 Ω
4	47.5 Ω
5	37.5 Ω
6	28 Ω

Resistor Kit No. ZG-R03

Wiring Multiple Actuators to a Series 90 Controller using a Minimum Position Potentiometer



Typical wiring diagrams for multiple actuators used with the W973, W7100 and T775 controllers



No. of actuators	Resistance
2	1300 Ω
3	910 Ω
4	768 Ω

Resistor Kit No. ZG-R06

Used with the W973 and W7100 controllers

