

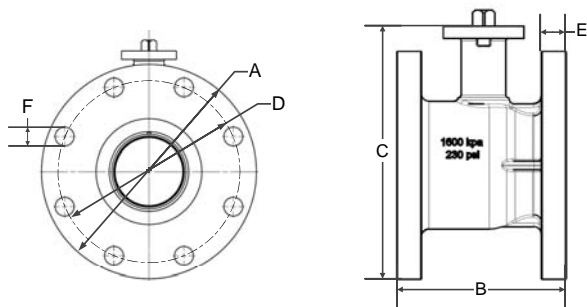


Application

This valve is typically used in air handling units on heating or cooling coils, and fan coil unit heating or cooling coils. Some other common applications include Unit Ventilators, VAV box re-heat coils and bypass loops. This valve is suitable for use in a hydronic system with variable or constant flow.

Technical Data	
Service	chilled or hot water, 60% glycol
Flow characteristic	A-port equal percentage
Action	90° rotation
Sizes	2½", 3", 4", 5", 6"
Type of end fitting	pattern to mate with ANSI 125 flange
Materials:	
Body	cast iron - GG25
Ball	stainless steel
Stem	stainless steel
Seats	PTFE
Characterizing disc	stainless steel
Packing	2 EPDM O rings, lubricated
Body pressure rating	according to ANSI 125, standard class B
Media temp. range	0°F to 248°F [-18°C to +120°C]
Close off pressure	100 psi
Maximum differential pressure (ΔP)	50 psi
Leakage	0% for A to AB
Cv rating	A-port: see product chart for values

Dimensions



Valve Body	Nominal Pipe Size	Top Flange Design	Flange Diameter	Face-to-Face Length	Height
			A	B	C
B6250S	2½" [65]	F05	7.50" [190.5]	5.50" [139.7]	8.10" [205.4]
B6300S	3" [80]		8.00" [203.2]	6.60" [167.6]	8.40" [213.1]
B6400S	4" [100]		9.00" [228.6]	8.30" [210.8]	9.30" [235.9]
B6500S	5" [125]		10.00" [254.0]	10.30" [261.6]	10.50" [266.4]
B6600S	6" [150]		11.00" [279.4]	12.50" [317.5]	11.70" [296.9]

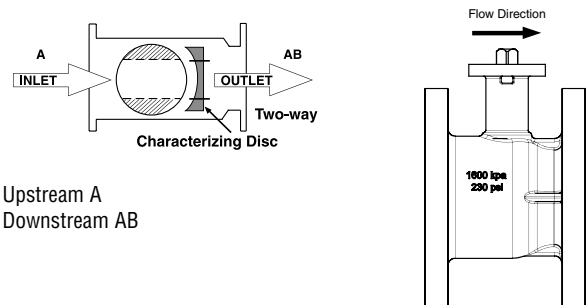
NOTES:

- 1) Flange bolt pattern matches ANSI class 125 flanges (not ANSI/ASME rated)
- 2) Maximum allowable working pressure: 100 PSIG
- 3) It is not recommended to connect raised-face flanges to flat-faced flanges

Valve Nominal Size			Type	Suitable Actuators		
Cv	Inches	DN [mm]	2-way Flange	Non-Spring	Spring	Electronic Fail-Safe
70	2½"	65	B6250S-070	AR Series	AFR Series	
110	2½"	65	B6250S-110			
110	3"	80	B6300S-110			
186	4"	100	B6400S-186			
290	5"	125	B6500S-290	GR		GKR Series
400	6"	150	B6600S-400			

Flow Pattern

2-way B6250 to B6600 Characterized Control Valves™



Upstream A
Downstream AB

Bolt Circle Diameter	Flange Thickness Minimum	Bolt Hole Diameter	Number of Bolt Holes
D	E	F	
5.50" [139.7]	0.75" [19.05]	0.75" [19.05]	4
6.00" [152.4]	0.75" [19.05]	0.75" [19.05]	4
7.50" [190.5]	0.94" [23.88]	0.75" [19.05]	8
8.50" [215.9]	0.94" [23.88]	0.88" [22.35]	8
9.50" [241.3]	1.00" [25.40]	0.88" [22.35]	8



Models

AFRB24-5-14
AFRB24-S-5-14
AFRX24-5-14
AFRX24-S-5-14

Technical Data

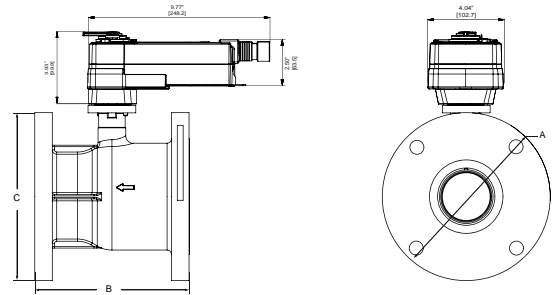
Power supply	24 VAC ± 20% 50/60 Hz 24 VDC +20% / -10%
Power consumption	running 5 W holding 2.5 W
Transformer sizing	7.5 VA (class 2 power source)
Electrical connection	
AFRB24...	3 ft., 18 GA appliance cable, 1/2" conduit connector -S models: two 3 ft., 18 gauge appliance cables with 1/2" conduit connectors
AFRX24...	3 ft. [1m], 10 ft. [3m] or 16 ft. [5m] 18 GA appliance or plenum cables, with or without 1/2" conduit connector -S models: two 3 ft. [1m], 10 ft. [3m] or 16 ft. [5m] appliance cables, with or without 1/2" conduit connectors
Overload protection	electronic throughout 0 to 95° rotation
Control	on/off
Direction of rotation	spring reversible with CW/CCW mounting
Angle of rotation	95°
Running time	motor < 75 seconds spring 20 seconds @ -4°F to 122°F [-20°C to 50°C]; < 60 seconds @ -22°F [-30°C]
Position indication	visual indicator, 0° to 95° (0° is full spring return position)
Manual override	5 mm hex crank (3/16" Allen), supplied
Ambient temperature	-22°F to 122°F [-30°C to 50°C]
Storage temperature	-40°F to 176°F [-40°C to 80°C]
Housing	NEMA 2, IP54, Enclosure Type2
Agency listings †	cULus according to UL60730-1A/-2-14, CAN/CSA E60730-1:02, CE according to 2004/108/EC & 2006/95/EC
Noise level	<50dB(A) motor @ 75 seconds <62dB(A) spring return
Quality standard	ISO 9001

† Rated Impulse Voltage 800V, Type of action 1.AA (1.AA.B for -S version), Control Pollution Degree 3.

AFRB24-S, AFRX24-S

Auxiliary switches	2 x SPDT 3A (0.5A) @ 250 VAC, UL approved one set at +10°, one adjustable 10° to 90°
--------------------	--------------------------------------------------------------------------------------

Dimensions



AFR_LGCCV

Valve Body	Nominal Pipe Size	Top Flange Design	Face-to-Face Length		
			A	B	C
B6250	2½" [65]	F05	7.50" [190.5]	5.50" [139.7]	8.10" [205.4]
B6300	3" [80]		8.00" [203.2]	6.60" [167.6]	8.40" [213.1]
B6400	4" [100]		9.00" [228.6]	8.30" [210.8]	9.30" [235.9]

Wiring Diagrams

INSTALLATION NOTES

- 1 Provide overload protection and disconnect as required.
- 2 **CAUTION Equipment Damage!**
Actuators may be connected in parallel. Power consumption and input impedance must be observed.
- 3 Actuators may also be powered by 24 VDC.
- 4 For end position indication, interlock control, fan startup, etc., AFRB24-S and AFRX24-S incorporates two built-in auxiliary switches: 2 x SPDT, 3A (0.5A) @250 VAC, UL Approved, one switch is fixed at +10°, one is adjustable 10° to 90°.

APPLICATION NOTES

- Meets cULus requirements without the need of an electrical ground connection.

- 1 **WARNING Live Electrical Components!**
During installation, testing, servicing and troubleshooting of this product, it may be necessary to work with live electrical components. Have a qualified licensed electrician or other individual who has been properly trained in handling live electrical components perform these tasks. Failure to follow all electrical safety precautions when exposed to live electrical components could result in death or serious injury.

