

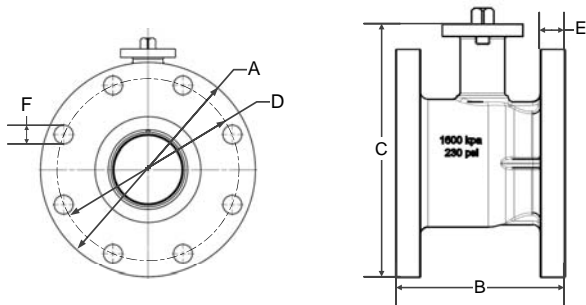


## Application

This valve is typically used in air handling units on heating or cooling coils, and fan coil unit heating or cooling coils. Some other common applications include Unit Ventilators, VAV box re-heat coils and bypass loops. This valve is suitable for use in a hydronic system with variable or constant flow.

Technical Data	
Service	chilled or hot water, 60% glycol
Flow characteristic	A-port equal percentage
Action	90° rotation
Sizes	2½", 3", 4", 5", 6"
Type of end fitting	pattern to mate with ANSI 125 flange
Materials:	
Body	cast iron - GG25
Ball	stainless steel
Stem	stainless steel
Seats	PTFE
Characterizing disc	stainless steel
Packing	2 EPDM O rings, lubricated
Body pressure rating	according to ANSI 125, standard class B
Media temp. range	0°F to 248°F [-18°C to +120°C]
Close off pressure	100 psi
Maximum differential pressure (ΔP)	50 psi
Leakage	0% for A to AB
Cv rating	A-port: see product chart for values

## Dimensions



Valve Body	Nominal Pipe Size	Top Flange Design	Flange Diameter	Face-to-Face Length	Height
			A	B	C
B6250S	2½" [65]	F05	7.50" [190.5]	5.50" [139.7]	8.10" [205.4]
B6300S	3" [80]		8.00" [203.2]	6.60" [167.6]	8.40" [213.1]
B6400S	4" [100]		9.00" [228.6]	8.30" [210.8]	9.30" [235.9]
B6500S	5" [125]		10.00" [254.0]	10.30" [261.6]	10.50" [266.4]
B6600S	6" [150]		11.00" [279.4]	12.50" [317.5]	11.70" [296.9]

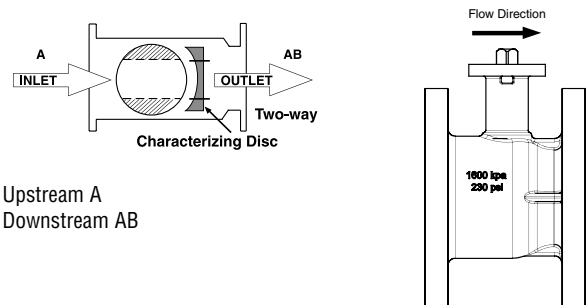
### NOTES:

- 1) Flange bolt pattern matches ANSI class 125 flanges (not ANSI/ASME rated)
- 2) Maximum allowable working pressure: 100 PSIG
- 3) It is not recommended to connect raised-face flanges to flat-faced flanges

Valve Nominal Size			Type	Suitable Actuators		
Cv	Inches	DN [mm]	2-way Flange	Non-Spring	Spring	Electronic Fail-Safe
70	2½"	65	B6250S-070	AR Series	AFR Series	
110	2½"	65	B6250S-110			
110	3"	80	B6300S-110			
186	4"	100	B6400S-186			
290	5"	125	B6500S-290	GR		GKR Series
400	6"	150	B6600S-400			

## Flow Pattern

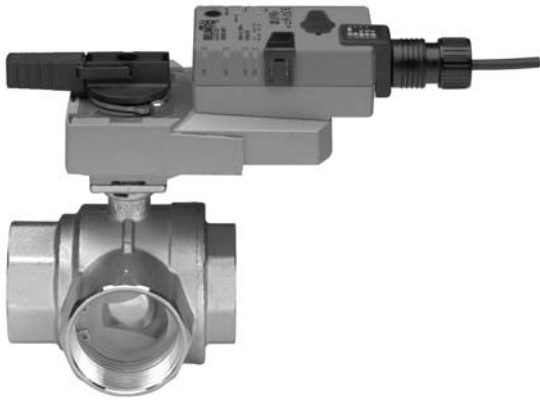
### 2-way B6250 to B6600 Characterized Control Valves™



Upstream A  
Downstream AB

Bolt Circle Diameter	Flange Thickness Minimum	Bolt Hole Diameter	Number of Bolt Holes
D	E	F	
5.50" [139.7]	0.75" [19.05]	0.75" [19.05]	4
6.00" [152.4]	0.75" [19.05]	0.75" [19.05]	4
7.50" [190.5]	0.94" [23.88]	0.75" [19.05]	8
8.50" [215.9]	0.94" [23.88]	0.88" [22.35]	8
9.50" [241.3]	1.00" [25.40]	0.88" [22.35]	8

# AR...24-3 Actuators, On/Off, Floating Point



## Models

ARB24-3	
ARB24-3-S	w/built-in Aux. Switch
ARX24-3	Flexible
ARX24-3-S	Flexible w/built-in Aux. Switch
ARB24-3-5-14	
ARX24-3-5-14	

## Technical Data

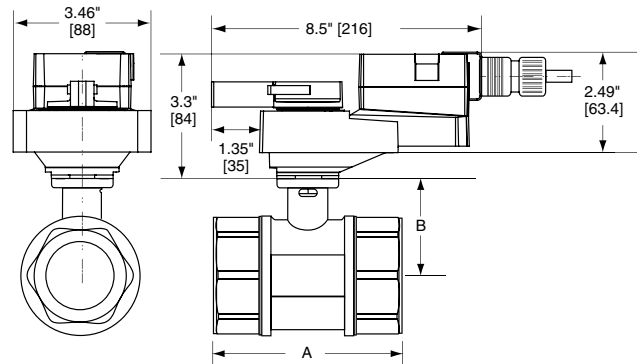
Control	on/off, floating point
Power supply	24 VAC ± 20% 50/60 Hz 24 VDC ± 10%
Power consumption	running 2.5 W holding 0.2 W
Transformer sizing	5.5 VA (class 2 power source)
Electrical connection	1/2" conduit connector 18 GA plenum rated cable ARB24-3... 3 ft. [1m] ARX24-3... 3 ft. [1m] 10 ft. [3m] 16 ft. [5m]
Overload protection	electronic throughout 0° to 95° rotation
Input impedance	600 Ω
Angle of rotation	90°, adjustable with mechanical stop
Direction of rotation	reversible with protected $\curvearrowright$ / $\curvearrowleft$ switch
Position indication	handle
Manual override	external push button
Running time	ARB24-3... 90 seconds ARX24-3... 300, 150, 90 seconds, constant independent of load
Humidity	5 to 95% RH non-condensing (EN 60730-1)
Ambient temperature	-22°F to 122°F [-30°C to 50°C]
Storage temperature	-40°F to 176°F [-40°C to 80°C]
Housing	NEMA 2/IP54
Housing material	UL94-5VA
Agency listings†	cULus according to UL 60730-1A/-2-14, CAN/CSA E60730-1:02, CE according to 2004/108/EC and 2006/95/EC for line voltage and/or -S versions
Noise level	<45 dB(A)
Quality standard	ISO 9001

## AR...24-3-S

Auxiliary switch (-S models)	1 x SPDT, 3A (0.5A) @ 250 VAC, UL Listed, adjustable 0 to 90°
------------------------------	--

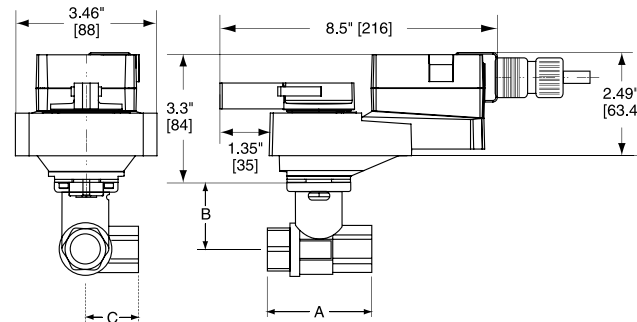
† Rated impulse voltage 800V, Control pollution degree 3, Type of action 1  
(1.B for -S models)

## Dimensions with 2-Way Valve



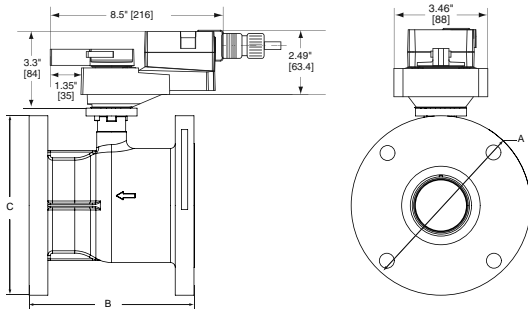
Valve Body	Valve Nominal Size		Dimensions (Inches [mm])	
	Inches	DN [mm]	A	B
B231-B232	1 1/4"	32	3.72" [94.6]	1.98" [50.4]
B238-B240	1 1/2"	40	3.88" [98.5]	1.98" [50.4]
B248-B250	2"	50	4.21" [107.0]	2.21" [56.2]
B251-B254	2"	50	4.93" [125.2]	2.68" [68.0]
B261-B265	2 1/2"	65	5.55" [140.9]	2.68" [68.0]
B277-B280	3"	80	5.82" [147.9]	2.68" [68.0]

## Dimensions with 3-Way Valve



Valve Body	Valve Nominal Size		Dimensions (Inches [mm])		
	Inches	DN [mm]	A	B	C
B329-B331	1 1/4"	32	3.96" [100.6]	2.21" [56.2]	2.14" [54.3]
B338-B341	1 1/2"	40	4.39" [111.6]	2.45" [62.2]	2.33" [59.1]
B347-B352	2"	50	4.90" [124.5]	2.68" [68.0]	2.60" [66.0]

### Dimensions



AR\_LG00V

Valve Body	Nominal Pipe Size	Top Flange Design	Flange Diameter	Face-to-Face Length	Height
			A	B	C
B6250	2½" [65]	F05	7.50" [190.5]	5.50" [139.7]	8.10" [205.4]
B6300	3" [80]		8.00" [203.2]	6.60" [167.6]	8.40" [213.1]
B6400	4" [100]		9.00" [228.6]	8.30" [210.8]	9.30" [235.9]

### Wiring Diagrams

#### INSTALLATION NOTES

- 2 **CAUTION Equipment damage!**  
Actuators may be connected in parallel. Power consumption and input impedance must be observed. For end position indication, interlock control, etc.,
- 3 ARB24-3-S incorporates one built-in auxiliary switches:  
1 x SPDT, 3A (0.5A) @250 VAC, UL listed, adjustable 0° to 95°.
- 4 Actuators may also be powered by 24 VDC.

#### APPLICATION NOTES

- ◆ Meets cULus or UL and CSA requirements without the need of an electrical ground connection.

#### WARNING Live Electrical Components!

During installation, testing, servicing and troubleshooting of this product, it may be necessary to work with live electrical components. Have a qualified licensed electrician or other individual who has been properly trained in handling live electrical components perform these tasks. Failure to follow all electrical safety precautions when exposed to live electrical components could result in death or serious injury.

M40013 - 06/11 - Subject to change. © Belimo Aircontrols (USA), Inc.

