

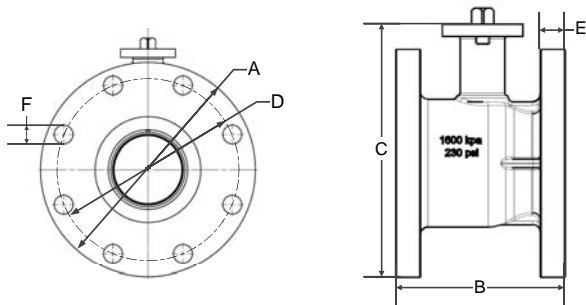


## Application

This valve is typically used in air handling units on heating or cooling coils, and fan coil unit heating or cooling coils. Some other common applications include Unit Ventilators, VAV box re-heat coils and bypass loops. This valve is suitable for use in a hydronic system with variable or constant flow.

Technical Data	
Service	chilled or hot water, 60% glycol
Flow characteristic	A-port equal percentage
Action	90° rotation
Sizes	2½", 3", 4", 5", 6"
Type of end fitting	pattern to mate with ANSI 125 flange
Materials:	
Body	cast iron - GG25
Ball	stainless steel
Stem	stainless steel
Seats	PTFE
Characterizing disc	stainless steel
Packing	2 EPDM O rings, lubricated
Body pressure rating	according to ANSI 125, standard class B
Media temp. range	0°F to 248°F [-18°C to +120°C]
Close off pressure	100 psi
Maximum differential pressure (ΔP)	50 psi
Leakage	0% for A to AB
Cv rating	A-port: see product chart for values

## Dimensions



Valve Body	Nominal Pipe Size	Top Flange Design	Flange Diameter	Face-to-Face Length	Height
			A	B	C
B6250S	2½" [65]	F05	7.50" [190.5]	5.50" [139.7]	8.10" [205.4]
B6300S	3" [80]		8.00" [203.2]	6.60" [167.6]	8.40" [213.1]
B6400S	4" [100]		9.00" [228.6]	8.30" [210.8]	9.30" [235.9]
B6500S	5" [125]		10.00" [254.0]	10.30" [261.6]	10.50" [266.4]
B6600S	6" [150]		11.00" [279.4]	12.50" [317.5]	11.70" [296.9]

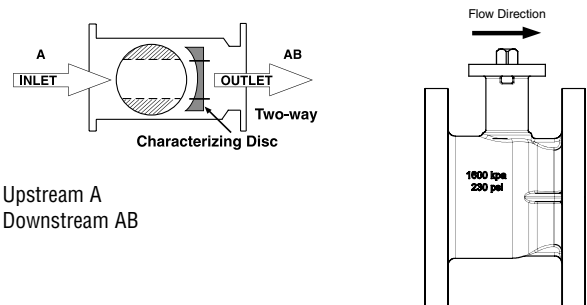
### NOTES:

- 1) Flange bolt pattern matches ANSI class 125 flanges (not ANSI/ASME rated)
- 2) Maximum allowable working pressure: 100 PSIG
- 3) It is not recommended to connect raised-face flanges to flat-faced flanges

Valve Nominal Size			Type	Suitable Actuators		
Cv	Inches	DN [mm]	2-way Flange	Non-Spring	Spring	Electronic Fail-Safe
70	2½"	65	B6250S-070	AR Series	AFR Series	
110	2½"	65	B6250S-110			
110	3"	80	B6300S-110			
186	4"	100	B6400S-186			
290	5"	125	B6500S-290	GR		GKR Series
400	6"	150	B6600S-400			

## Flow Pattern

### 2-way B6250 to B6600 Characterized Control Valves™



Upstream A  
Downstream AB

Bolt Circle Diameter	Flange Thickness Minimum	Bolt Hole Diameter	Number of Bolt Holes
D	E	F	
5.50" [139.7]	0.75" [19.05]	0.75" [19.05]	4
6.00" [152.4]	0.75" [19.05]	0.75" [19.05]	4
7.50" [190.5]	0.94" [23.88]	0.75" [19.05]	8
8.50" [215.9]	0.94" [23.88]	0.88" [22.35]	8
9.50" [241.3]	1.00" [25.40]	0.88" [22.35]	8

# GRB24-3, GRX24-3 Actuators, On/Off, Floating Point



## Models

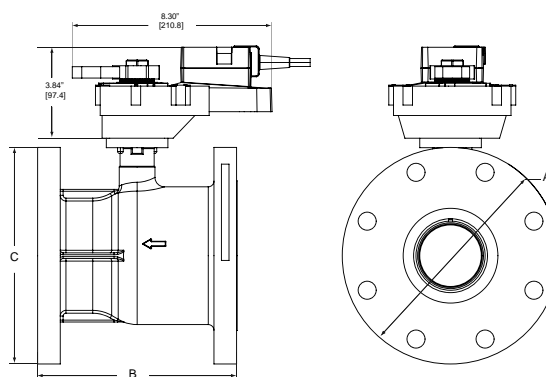
GRB24-3-5-14  
GRX24-3-5-14

## Technical Data

Control	on/off, floating point
Power supply	24 VAC ± 20% 50/60 Hz 24 VDC ± 10%
Power consumption	running 4 W holding 2 W
Transformer sizing	6 VA (Class 2 power source)
Electrical connection	3 ft, 18 GA plenum rated cable ½" conduit connector GRX 3 ft. [1m], 10 ft. [3m], 16 ft. [5m]
Overload protection	electronic throughout 0° to 95° rotation
Input impedance	600 Ω
Angle of rotation	max. 95°, adjustable with mechanical stop
Direction of rotation	reversible with  switch
Position indication	visual indicator
Running time	150 seconds, constant independent of load
Manual override	external push button
Ambient temperature	-22°F to 122°F [-30°C to 50°C]
Housing	NEMA 2/IP54, Enclosure Type 2
Agency listings †	cULus according to UL 60730-1A/-2-14, CAN/CSA E60730-1:02, CE according to 2004/108/EEC and 2006/95/EC.
Noise level	<45 dB(A)
Quality standard	ISO 9001

† Rated Impulse Voltage 800V, Type of action 1.AA (1.AA.B for -S version), Control Pollution Degree 3.

## Dimensions



GR\_LG00V

Valve Body	Nominal Pipe Size	Top Flange Design	Flange Diameter	Face-to-Face Length	Height
			A	B	C
B6500	5" [125]	F05	10.00" [254]	10.30" [261.6]	10.50" [266.4]
B6600	6" [150]		11.00" [279.4]	12.50" [317.5]	11.70" [296.9]

IM40013 - 06/11 - Subject to change. © Belimo Aircontrols (USA), Inc.

### Wiring Diagrams

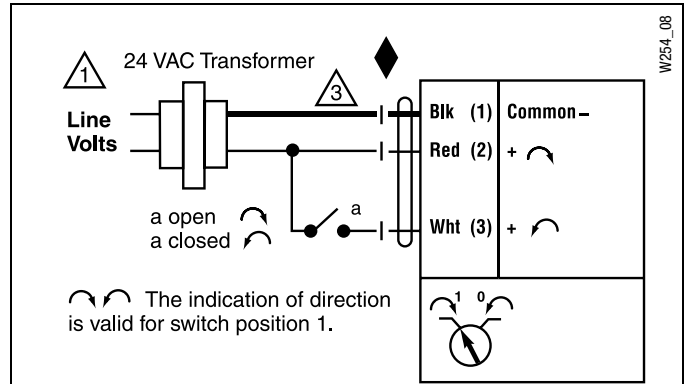
#### ✂️ **INSTALLATION NOTES**

- 1 Provide overload protection and disconnect as required.
- 3 Actuators may also be powered by 24 VDC.

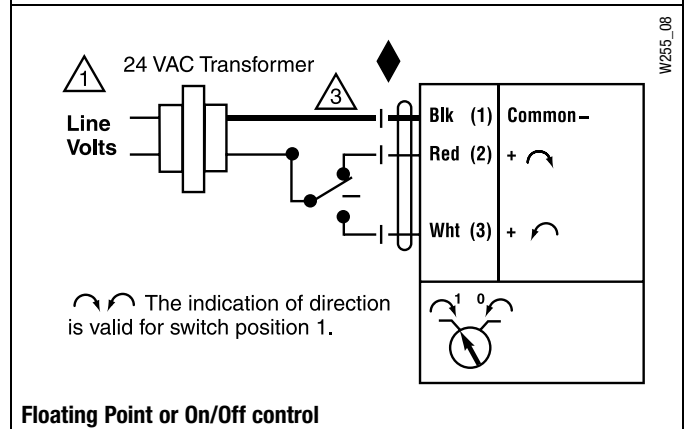
#### 📄 **APPLICATION NOTES**

- ◆ Meets cULus requirements without the need of an electrical ground connection.

**⚠️ WARNING Live Electrical Components!**  
 During installation, testing, servicing and troubleshooting of this product, it may be necessary to work with live electrical components. Have a qualified licensed electrician or other individual who has been properly trained in handling live electrical components perform these tasks. Failure to follow all electrical safety precautions when exposed to live electrical components could result in death or serious injury.



**On/Off control**



**Floating Point or On/Off control**