



- Fast quarter turn open or closed operation
- Stainless steel ball and stem
- Positive shut-off
- Two-piece body construction

Application

- Water-side control of air handling apparatus in ventilation and air-conditioning system
- Water/Steam control in heating systems
- 300:1 rangeability

The dimensions and drilling of end flanges conform to the American cast iron flange standard, Class 150 (ANSI B16.1).

Technical Data

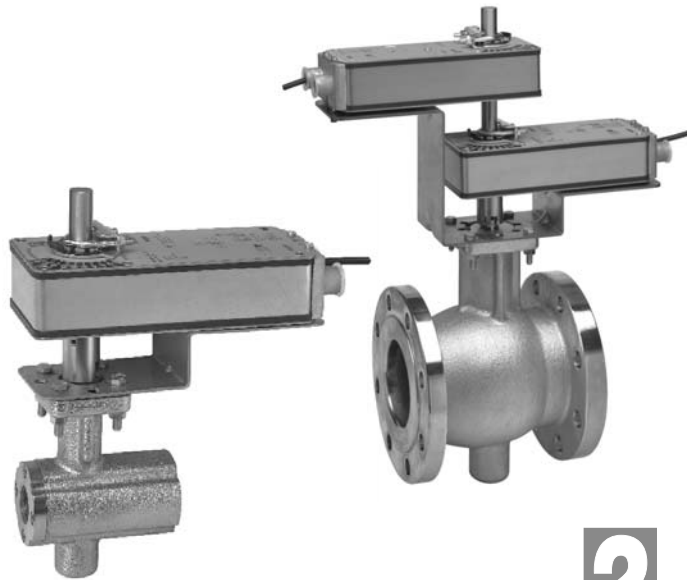
Media	chilled or hot water, glycol, 250# steam
Flow characteristic	equal percentage
Action	90% rotation valve open CW, valve closed CCW
Sizes	3", 4", 6"
Type of end fittings	flanged

Materials:

Body	Carbon Steel
Ball	Stainless Steel with Hardened Chrome Plating
Seats	Teflon
Stem	Stainless Steel
Packing	Spring-loaded Teflon

Pressure rating	ANSI 150
Media temp. range	-22°F to 400°F (-30°C to 204°C)
Close-off pressure	150 psig @ 400°F
Maximum differential pressure (ΔP)	steam: 100psi water: 150psi

Cv	Valve Nominal Size		Type	Suitable Actuators		
	Inches	DN [mm]	2-way NPT	Spring	Electronic Fail-Safe	Non-Spring
207	3"	80	B6300VB-207	AF		GM AM Series
350	4"	100	B6400VB-350		GK	
507	6"	150	B6600VB-507			SY Series



Models

- AF24 US
- AF24-S US w/built-in Aux. Switches
- AF120 US
- AF120-S US w/built-in Aux. Switches



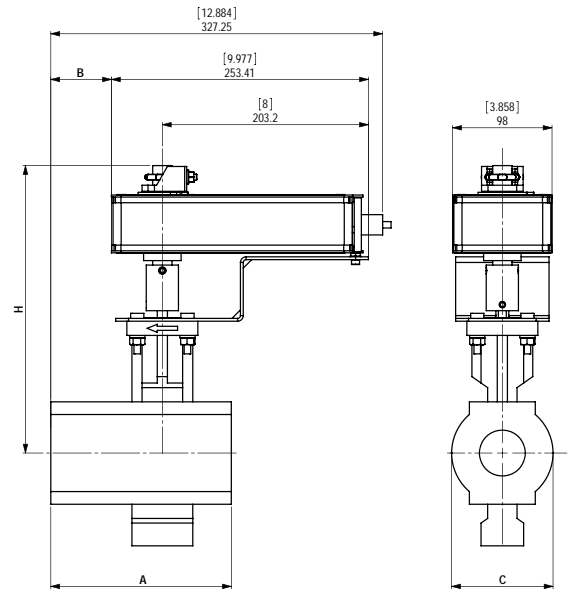
Technical Data

Control	on/off	
Power consumption		
AF24(-S) US	running	5 W
	holding	1.5 W
AF120(-S) US	running	6 W
	holding	2.3 W
Transformer sizing	10 VA, class 2 power	
Electrical connection	½" conduit connector	
(-S model has 2 cables)	3 ft [1m], 18 GA appliance cables	
Electrical protection	120 V actuators double insulated	
Overload protection	electronic throughout 0° to 95° rotation	
Angle of rotation	95°	
Position indication	visual indicator	
Manual override	hex crank	
Running time	control	150 seconds independent of load
	spring	<20 seconds
Ambient temperature	-22° F to 122° F [-30° C to 50° C]	
Housing	NEMA 2 / IP54	
Agency listings	UL 873, CSA C22.2 No. 24 certified, CE	
Noise level	max. 45 dB(A)	

AF...-S US

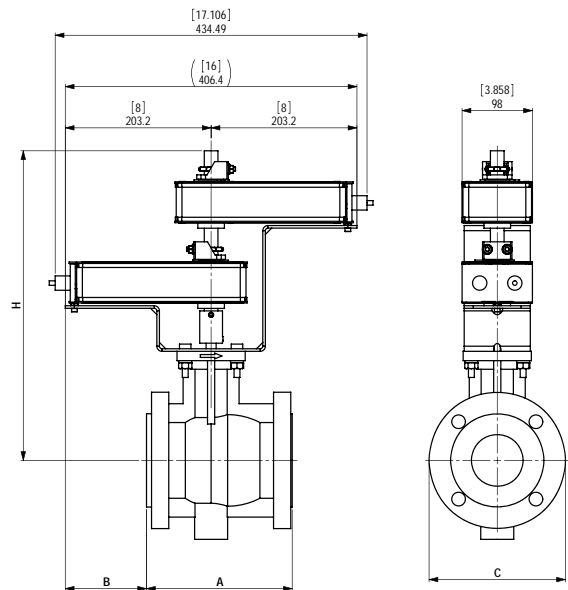
Auxiliary switches	2 x SPDT, 7A (2.5A) @ 250 VAC, UL listed, one switch is fixed at +5°, one is adjustable 25° to 85° (double insulated)
--------------------	---

Dimensions with 2-Way Valve



Valve Body	COP	Valve Nominal Size		Dimensions (Inches)			
		Inches	DN [mm]	A	B	C	H
B2200VB-077	150	2"	50	7.00	2.35	3.94	11.16

Dual AF Actuators



Valve Body	COP	Valve Nominal Size		Dimensions (Inches)			
		Inches	DN [mm]	A	B	C	H
B6300VB-207	150	3"	80	8.00	4.46	7.48	431.4

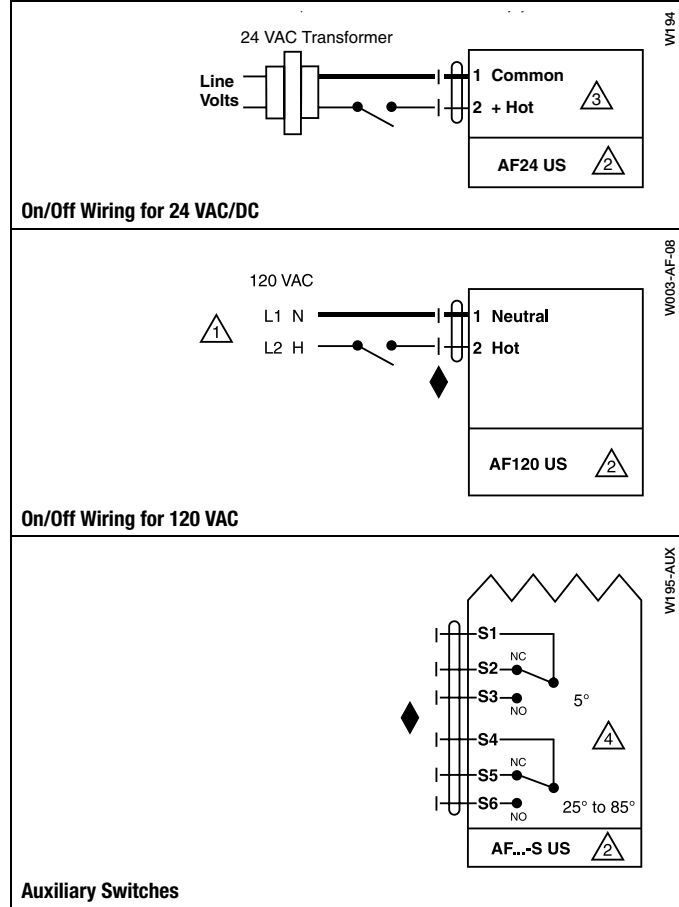
Wiring Diagrams

✂️ INSTALLATION NOTES

- 1 Provide overload protection and disconnect as required.
- 2 **CAUTION Equipment damage!**
Actuators may be connected in parallel.
Power consumption must be observed.
- 3 Actuators may also be powered by 24 VDC.
- 4 For end position indication, interlock control, fan startup, etc., AF24-S US incorporates two built-in auxiliary switches: 2 x SPDT, 7A (2.5A) @ 250 VAC, UL listed, one switch is fixed at +5°, one is adjustable 25° to 85°.

📄 APPLICATION NOTES

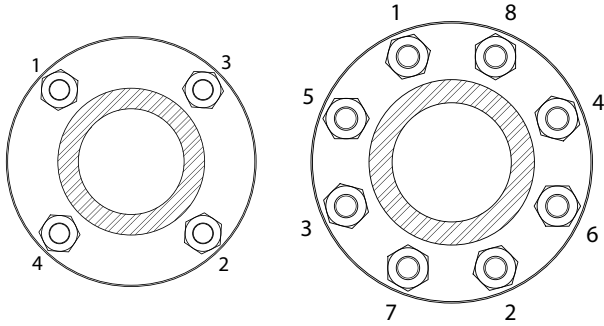
- ◆ Meets cULus or UL and CSA requirements without the need of an electrical ground connection.
- ⚠️ **WARNING Live Electrical Components!**
During installation, testing, servicing and troubleshooting of this product, it may be necessary to work with live electrical components. Have a qualified licensed electrician or other individual who has been properly trained in handling live electrical components perform these tasks. Failure to follow all electrical safety precautions when exposed to live electrical components could result in death or serious injury.



Valve Installation Procedure

3", 4" & 6" Valves - Flanged Installation

1. Valve must be in the closed position for installation.
2. **Figure 1 illustrates a flanged valve installation.**
3. Use hex bolts & nuts to secure valve to flange.
4. Ensure proper gaskets are used between the valve flange and pipe flange.
5. Tighten bolts & nuts in alternating opposite sides until completely tightened. Please see torque requirements below. Torque wrench is required.



3" Bolt Tightening Sequence

4" & 6" Bolt Tightening Sequence



WARNING: Exceeding the Maximum Torque Can Damage the Valve and Void the Warranty!

- 3" ANSI 150 Flange - 65 ft/lbs
- 4" ANSI 150 Flange - 70 ft/lbs
- 6" ANSI 150 Flange - 100 ft/lbs

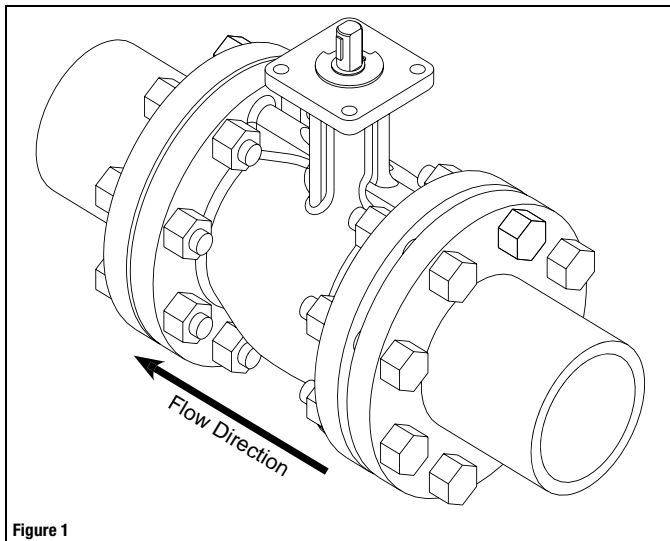


Figure 1

Seat Replacement Procedure

3", 4" & 6" Valves

1. Remove valve from pipe
2. Remove 2 cap retaining washers (1)
3. Using 2 wrenches/flat-head screwdrivers, pry cap assembly (2) out of valve
4. Rotate valve to fully open position
5. Using hands, pull seat (3) out of the valve
6. Replace seat and reverse procedure to reassemble
7. Reinstall valve per installation instructions

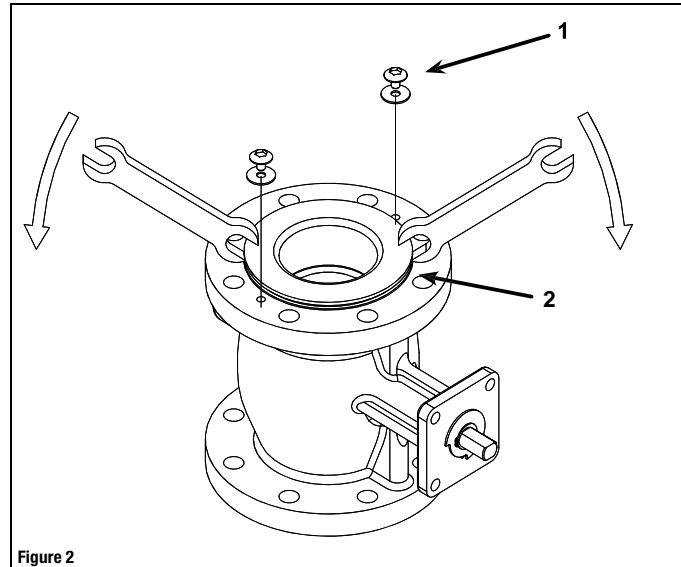


Figure 2

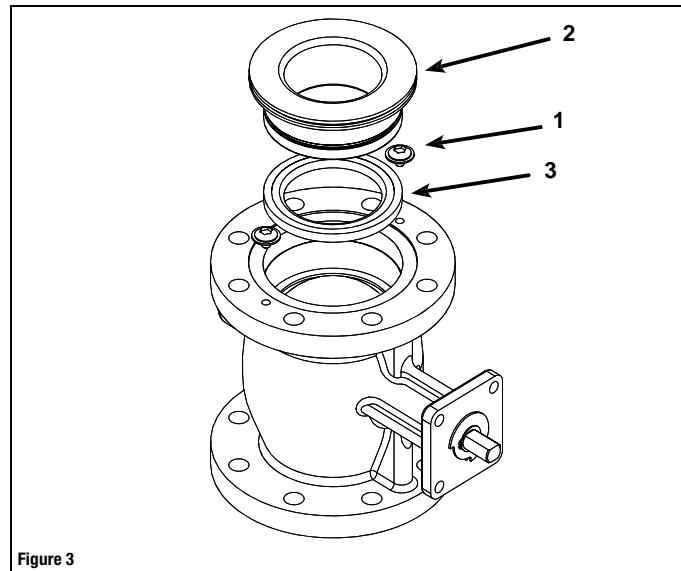


Figure 3