



- Bubble tight shut-off to ANSI Class 150 Standards
- Long stem design allows for 2" insulation minimum
- Valve Face-to-face dimensions comply with API 609 & MSS-SP-68
- Designed to be installed between ASME/ANSI B16.5 Flanges
- Completely assembled and tested, ready for installation

Application

These valves are designed to meet the needs of HVAC and Commercial applications requiring positive shut-off for liquids at higher pressures and temperatures. Typical applications include chiller isolation, cooling tower isolation, change-over systems, large air handler coil control, bypass and process control applications. The large C_v values provide for an economical control valve solution for larger flow applications.

Technical Data	
Media service	chilled, hot water, 60% glycol, steam to 50 psi
Valve service	double dead end service
Flow characteristic	modified equal percentage, unidirectional
Recommended install	SUS (Seat Up Stream)
Action	quarter turn, mechanically limited
Sizes	2" to 24"
Type of end fitting	for use with ASME/ANSI B16.5 flanges
Materials	
Body	carbon steel full lug
Disc	316 stainless steel
Seat	RPTFE
Shaft	17-4 PH stainless
Gland seal	PTFE
Bushings	glass backed PTFE
Media temperature range	ANSI Class 150 limitations
Operation ambient temperature range	-22°F to 122°F [-30°C to 50°C]
Body pressure rating	ASME/ANSI Class 150 limitations
Close-off pressure	ANSI Class 150 to 285 psi @ 100°F
Rangeability	10:1 (for 30 deg to 70 deg range)
Maximum velocity	32 FPS

C _v 90°	C _v 60°	Valve Nominal Size	Type	Suitable Actuators	
				Spring	Non-Spring
102	56	2"	F650-150SHP	AF Series	GM Series
146	80	2½"	F665-150SHP		
228	125	3"	F680-150SHP		
451	248	4"	F6100-150SHP	SY Series	
714	392	5"	F6125-150SHP		
1103	607	6"	F6150-150SHP		
2064	1135	8"	F6200-150SHP		
3517	1934	10"	F6250-150SHP		
4837	2660	12"	F6300-150SHP		
6857	3592	14"	F6350-150SHP		
9287	4865	16"	F6400-150SHP		
11500	3270	18"	F6450-150SHP		
14420	7590	20"	F6500-150SHP		
22050	11550	24"	F6600-150SHP		
34388	18012	30"	F6750-150SHP		

M40048 - 06/10 - Subject to change. © Belimo Aircontrols (USA), Inc.

Valve	Size	C _v	MOD									ON/OFF
			10°	20°	30°	40°	50°	60°	70°	80°	90°	
F650-150SHP	2"	102	1.50	6.10	14	26	39	56	77	99	102	
F665-150SHP	2.5"	146	2.20	8.80	20	37	55	80	110	142	146	
F680-150SHP	3"	228	3.40	14	32	57	87	125	171	221	228	
F6100-150SHP	4"	451	6.80	27	63	114	171	248	338	437	451	
F6125-150SHP	5"	714	11	43	100	180	271	393	536	693	714	
F6150-150SHP	6"	1103	17	66	154	278	419	607	827	1070	1103	
F6200-150SHP	8"	2064	31	124	289	520	784	1135	1548	2002	2064	
F6250-150SHP	10"	3517	53	211	492	886	1336	1934	2638	3411	3517	
F6300-150SHP	12"	4837	73	290	677	1219	1838	2660	3628	4692	4837	
F6350-150SHP	14"	6857	103	411	960	1728	2606	3771	5143	6651	6857	
F6400-150SHP	16"	9287	139	557	1300	2340	3529	5108	6965	9008	9287	
F6450-150SHP	18"	11400	171	684	1596	2873	4332	6270	8550	11058	11400	
F6500-150SHP	20"	14420	216	865	2019	3634	5480	7931	10815	13987	14420	
F6600-150SHP	24"	22050	331	1323	3087	5557	8379	12128	16538	21389	22050	
F6750-150SHP	30"	34388	491	1965	4585	8253	12445	18012	24563	32750	34388	

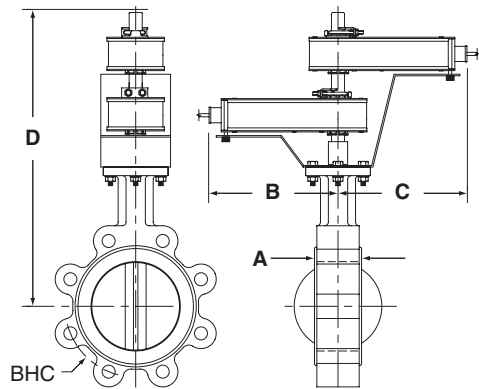
F6 ANSI Class 150 Reinforced Teflon Seat, 316 Stainless Disc



Maximum Dimensions (Inches)

Valve	Size	C _v 90°	A	B	C	D(Max)	BHC	No. of Holes	Lug Bolt	Actuator	Close-Off (PSI)	
F650-150SHP	2"	102	1.75	9.00	9.00	19.50	4.75	4	5/8-11	2*AF	150	Fail Safe
F665-150SHP	2.5"	146	1.88	9.00	9.00	20.00	5.50	4	5/8-11		150	
F680-150SHP	3"	228	1.92	9.00	9.00	20.50	6.00	4	5/8-11		150	
F6100-150SHP	4"	451	2.13	9.00	9.00	21.00	7.50	8	5/8-11	GM	150	
F650-150SHP	2"	102	1.75	9.00	9.00	19.50	4.75	4	5/8-11		285	
F665-150SHP	2.5"	146	1.88	9.00	9.00	20.00	5.50	4	5/8-11		285	
F680-150SHP	3"	228	1.92	9.00	9.00	20.50	6.00	4	5/8-11	285	2*GM	
F6100-150SHP	4"	451	2.13	9.00	9.00	21.00	7.50	8	5/8-11	150		
F6100-150SHP	4"	451	2.13	9.00	9.00	21.00	7.50	8	5/8-11	285		
F650-150SHP	2"	102	1.75	8.00	8.00	22.25	4.75	4	5/8-11 UNC	SY2...	285	
F665-150SHP	2.5"	146	1.88	8.00	8.00	22.75	5.50	4	5/8-11 UNC		285	
F680-150SHP	3"	228	1.92	8.00	8.00	23.00	6.00	4	5/8-11 UNC		285	
F6100-150SHP	4"	451	2.13	8.00	8.00	23.75	7.50	8	5/8-11 UNC	285	SY3...	
F6125-150SHP	5"	714	2.25	8.00	8.00	24.25	8.50	8	3/4-10 UNC	285		
F6150-150SHP	6"	1103	2.29	8.00	8.00	24.75	9.50	8	3/4-10 UNC	285		
F6200-150SHP	8"	2064	2.50	12.00	12.00	32.00	11.75	8	3/4-10 UNC	SY4...	150	Non-Fail Safe
F6250-150SHP	10"	3517	2.81	12.00	12.00	33.00	14.25	12	7/8-9 UNC	SY4...	285	
F6300-150SHP	12"	4837	3.23	12.00	12.00	35.00	17.00	12	7/8-9 UNC	SY5...	150	
F6350-150SHP	14"	6857	3.62	14.00	14.00	36.00	18.75	12	1-8 UNC	SY5...	150	
										SY7...	285	
F6400-150SHP	16"	9287	4.00	14.00	14.00	37.50	21.25	16	1-8 UNC	SY7...	150	
										SY8...	285	
F6450-150SHP	18"	11400	4.50	14.00	14.00	42.25	22.75	16	1 1/8-8 UNC	SY8...	150	
										SY8...	285	
F6500-150SHP	20"	14420	5.00	14.00	14.00	49.50	25.00	20	1 1/8-8 UNC	SY8...	150	
										SY10...	285	
F6600-150SHP	24"	22050	6.06	14.00	14.00	56.25	29.50	20	1 1/4-8 UNC	SY10...	150	
F6750-150SHP	30"	34388	6.75	14.00	14.00	66.58	36.00	28	1 1/4-8 UNC	SY12...	125	

Dimensions

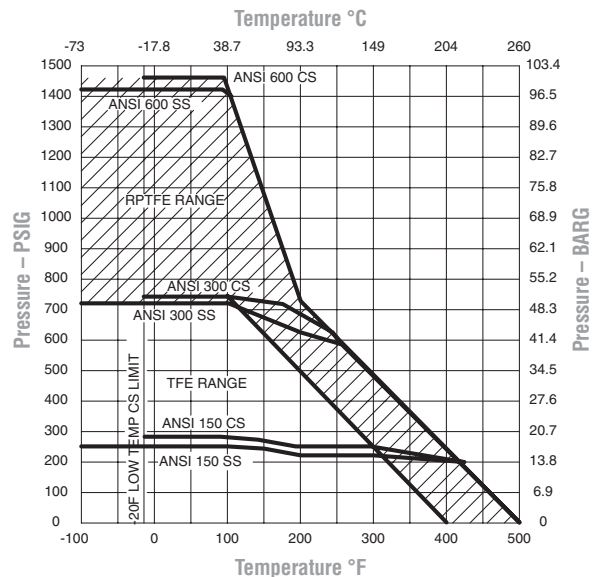


Dimension "A" does not include flange gaskets. (2 required per valve)

Application Notes

- Valves are rated at 285 psi differential pressure in the closed position @ 100°F media temperature.
- Valves are furnished with lugs tapped for use between ANSI Class 125/150 flanges conforming to ANSI B16.5 Standards.
- 2-way assemblies are furnished assembled, calibrated and tested, ready for installation.
- Dimension "D" allows for actuator(s) removal without the need to remove the valve from the pipe.
- Weather shields are available, dimensional data furnished upon request.
- Flange gaskets (2 required, not provided with valve) MUST be used between valve and ANSI flange.
- Flange bolts are not included with the valve. These are furnished by others.

Pressure/temperature chart for ANSI class butterfly valves.



SHP series valves have a preferred flow direction.



Models

AFX24-MFT-X1
AFX24-MFT-S-X1 w/built-in Aux. Switches

Technical Data

Power supply	24 VAC, +/- 20%, 50/60 Hz 24 VDC, +20% / -10%
Power consumption	running 7.5 W holding 3 W
Transformer sizing	10 VA (Class 2 power source)
Electrical connection	AFX... 3 ft [1m] default, 10 ft [3m] or 16 ft [5m] 18 GA appliance or plenum cables, with or without 1/2" conduit connector -S models: two 3 ft [1m] default, 10 ft [3m] or 16 ft [5m] appliance cables with or without 1/2" conduit connectors
Overload protection	electronic throughout 0 to 95° rotation
Operating range Y*	2 to 10 VDC, 4 to 20 mA (default) variable (VDC, PWM, floating point, on/off)
Input impedance	100 kΩ for 2 to 10 VDC (0.1 mA) 500 Ω for 4 to 20 mA 1500 Ω for PWM, floating point and on/off control
Feedback output U*	2 to 10 VDC, 0.5 mA max
Torque	minimum 180 in-lb (20 Nm)
Direction of rotation*	spring reversible with cw/ccw mounting motor reversible with built-in switch
Mechanical angle of rotation*	95° (adjustable with mechanical end stop, 35° to 95°)
Running time	spring <20 sec @ -4°F to 122°F [-20° C to 50° C]; <60 sec @ -22°F [-30° C] motor* 150 seconds (default), variable (70 to 220 seconds)
Angle of Rotation adaptation	off (default)
Override control*	min position = 0% mid. position = 50% max. position = 100%
Position indication	visual indicator, 0° to 95° (0° is spring return position)
Manual override	5 mm hex crank (3/16" Allen), supplied
Humidity	max. 95% RH, non-condensing
Ambient temperature	-22 to 122° F (-30 to 50° C)
Storage temperature	-40 to 176° F (-40 to 80° C)
Housing	NEMA 2, IP54, Enclosure Type 2
Housing material	zinc coated metal and plastic casing
Noise level	≤40dB(A) motor @ 150 seconds, run time dependent ≤62dB(A) spring return
Agency listings †	cULus acc. to UL60730-1A/-2-14, CAN/CSA E60730-1:02, CE acc. to 2004/108/EC & 2006/95/EC
Quality standard	ISO 9001
Servicing	maintenance free
Weight	4.6 lbs. (1.9 kg), 4.9 lbs. (2 kg) with switch

* Variable when configured with MFT options

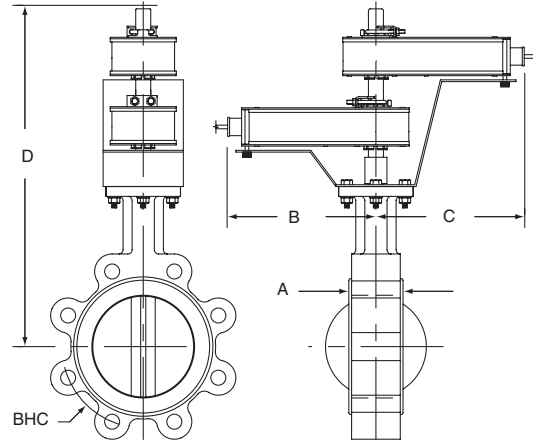
† Rated Impulse Voltage 800V, Type of action 1.AA (1.AA.B for -S version), Control Pollution Degree 3.

◆ Programmed for 70 sec motor run time. At 150 sec motor run time, transformer sizing is 8.5 VA and power consumption is 6 W running / 3 W holding.

AFX24-MFT-S-X1

Auxiliary switches	2 x SPDT 3A (0.5A) @ 250 VAC, UL approved one set at +10°, one adjustable 10° to 90°
--------------------	---

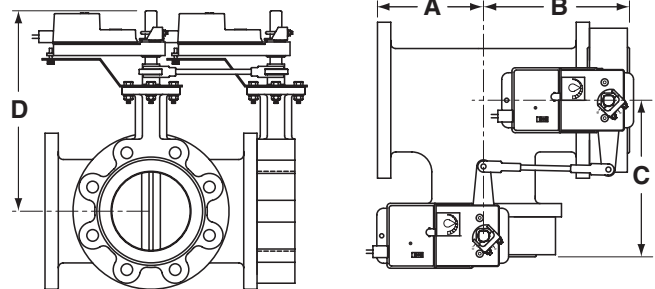
Dimensions with 2-Way Valve



BF2WUDIM_A

Valve	Size	Dimensions (Inches)				Fail Safe (psi)		
		A	B	C	D(Max)	BHC	AF	2*AF
F650HD	2"	1.65	9.00	9.00	19.50	4.75	200	
F650HDU	2"	1.65	9.00	9.00	19.50	4.75	50	
F665HD	2½"	1.76	9.00	9.00	20.00	5.50		200
F665HDU	2½"	1.76	9.00	9.00	20.00	5.50	50	
F680HD	3"	1.78	9.00	9.00	20.50	6.00		500
F680HDU	3"	1.78	9.00	9.00	20.50	6.00		50
F6100HDU	4"	2.05	9.00	9.00	21.00	7.50		50
F6125HDU	5"	2.14	9.00	9.00	22.00	8.50		50
F650-150SHP	2"	1.75	9.00	9.00	19.50	4.75		150
F665-150SHP	2½"	1.88	9.00	9.00	20.00	5.50		150
F680-150SHP	3"	1.92	9.00	9.00	20.50	6.00		150
F6100-150SHP	4"	2.13	9.00	9.00	21.00	7.50		150
F650-300SHP	2"	1.75	9.00	9.00	19.50	5.00		150
F665-300SHP	2½"	1.88	9.00	9.00	20.00	5.88		150
F680-300SHP	3"	1.92	9.00	9.00	20.50	6.63		150
F6100-300SHP	4"	2.13	9.00	9.00	21.00	7.88		150

Dimensions with 3-Way Valve



HS DWGP11

Valve	Size	Dimensions (Inches)				Fail Safe (psi)		
		A	B	C	D(Max)	BHC	AF	2*AF
F750HD	2"	4.50	6.15	6.15	15.50	4.75	200	
F750HDU	2"	4.50	6.15	6.15	15.50	4.75	50	
F765HD	2½"	5.00	6.76	6.76	16.00	5.50		200
F765HDU	2½"	5.00	6.76	6.76	16.00	5.50		50
F780HDU	3"	5.50	7.28	7.28	16.25	6.00		50

IM40048 - 06/10 - Subject to change. © Belimo Aircontrols (USA), Inc.

Wiring Diagrams

INSTALLATION NOTES

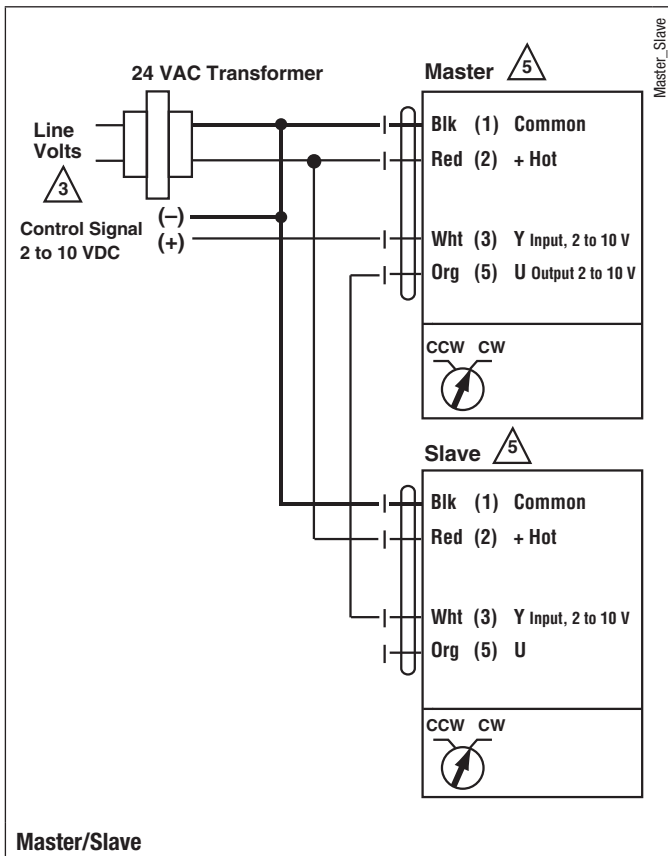
- 3 Actuators may also be powered by 24 VDC.
- 4 IN4004 or IN4007 diode (IN4007 supplied, Belimo part number 40155).
- 5 Triac A and B can also be contact closures.
- 6 Control signal may be pulsed from either the Hot (Source) or Common (Sink) 24 VAC line.
- 7 Position feedback cannot be used with Triac sink controller. The actuators internal common reference is not compatible.

APPLICATION NOTES

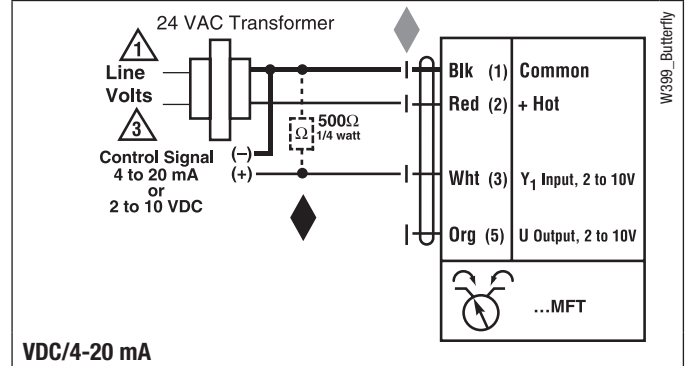
- ◆ The ZG-R01 500 Ω resistor converts the 4 to 20 mA control signal to 2 to 10 VDC, up to 2 actuators may be connected in parallel.
- ◆ Meets cULus or UL and CSA requirements without the need of an electrical ground connection.

WARNING Live Electrical Components!

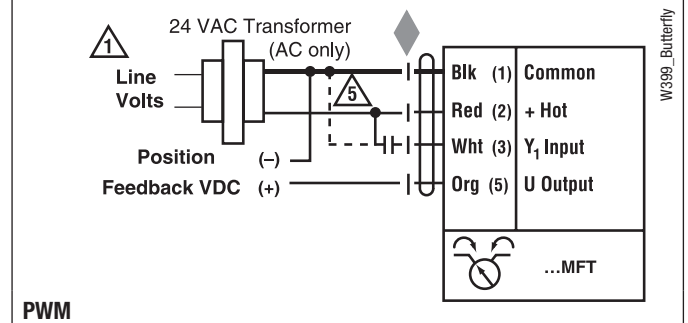
During installation, testing, servicing and troubleshooting of this product, it may be necessary to work with live electrical components. Have a qualified licensed electrician or other individual who has been properly trained in handling live electrical components perform these tasks. Failure to follow all electrical safety precautions when exposed to live electrical components could result in death or serious injury.



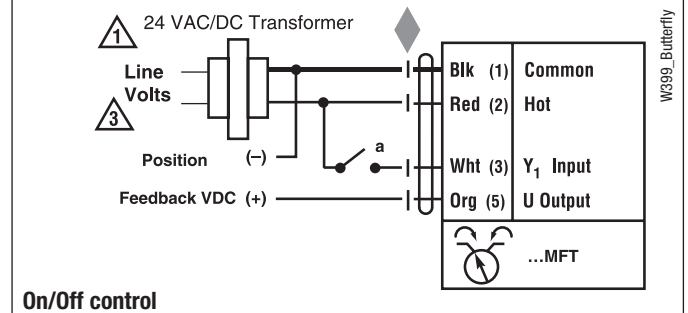
Master/Slave



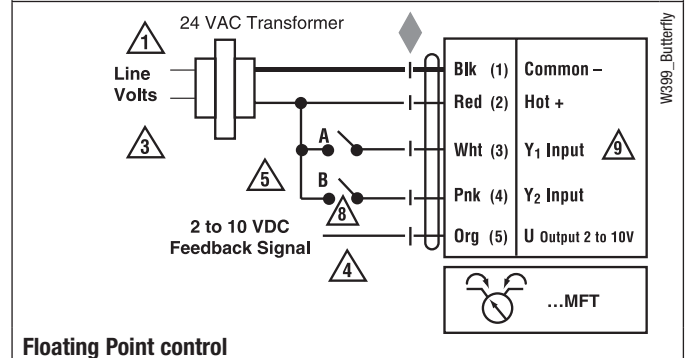
VDC/4-20 mA



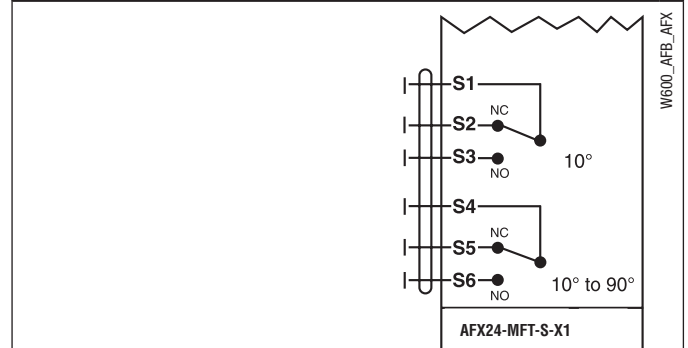
PWM



On/Off control



Floating Point control



Auxiliary Switches for AFX24-MFT-S-X1