



- 50 psi bubble tight shut-off
- Long stem design allows for 2" insulation
- Valve face-to-face dimensions comply with API 609 & MSS-SP-67
- Completely assembled and tested, ready for installation

Application

These valves are designed to meet the needs of HVAC and commercial applications requiring bubble tight shut-off for liquids. Typical applications include chiller isolation, cooling tower isolation, change-over systems, large air handler coil control, bypass and process control applications. The large C_v values provide for an economical control valve solution for larger flow applications. Designed for use in Victaulic piping systems when mated to Victaulic 41 series flange nipples.

Jobsite Note

Valves should be stored in a weather protected area prior to construction. Complete installation recommendations can be found in Belimo's Installation and Maintenance Instructions for F6/F7...HD/HDU Butterfly Valves.

Technical Data	
Service	chilled, hot water, 60% glycol
Flow characteristic	modified equal percentage
Action	90° rotation
Sizes	2" to 12"
Type of end fitting	for use with ANSI Class 125/150 flanges
Materials	
Body	ductile iron ASTM A536
Body finish	epoxy powder coated
Disc	304 stainless steel
Seat	EPDM
Shaft	416 stainless steel
O-ring	EPDM
Upper bushing	RPTFE
Middle bushings	RPTFE
Lower bushing	RPTFE
Media temperature range	-22°F to 250°F [-30°C to 120°C]
Operation ambient temperature range	-22°F to 122°F [-30°C to 50°C]
Body pressure rating	ASME/ANSI Class 125/150 (200 psi at -30°F to 275°F)
Close-off pressure	50 psi
Rangeability	10:1 (for 30° to 70° range)
Maximum velocity	12 FPS

C_v 90°	C_v 60°	Valve Nominal Size		Type	Suitable Actuators		SY Series
		IN	DN [mm]		2-way	Spring	
115	44	2"	50	F650HDU	AF Series	AM Series	
196	75	2½"	65	F665HDU			
302	116	3"	80	F680HDU	GM		
600	230	4"	100	F6100HDU			
1022	392	5"	125	F6125HDU			
1579	605	6"	150	F6150HDU			
3136	1202	8"	200	F6200HDU			
5340	2047	10"	250	F6250HDU			
8250	3062	12"	300	F6300HDU			

Valve	Size	C_v	MOD								ON/OFF	
			10°	20°	30°	40°	50°	60°	70°	80°	90°	
F650HDU	2"	115	.06	3	7	15	27	44	70	105	115	
F665HDU	2½"	196	.10	6	12	25	45	75	119	178	196	
F680HDU	3"	302	.20	9	18	39	70	116	183	275	302	
F6100HDU	4"	600	.30	17	36	78	139	230	364	546	600	
F6125HDU	5"	1022	.50	29	61	133	237	392	620	930	1022	
F6150HDU	6"	1579	.80	45	95	205	366	605	958	1437	1579	
F6200HDU	8"	3136	2	89	188	408	727	1202	1903	2854	3136	
F6250HDU	10"	5340	3	151	320	694	1237	2047	3240	4859	5340	
F6300HDU	12"	8250	4	234	495	1072	1911	3062	5005	7507	8250	

M40048 - 06/10 - Subject to change. © Belimo Aircontrols (USA), Inc.

F6...HDU Butterfly Valves 2"-12" Ductile Iron Lug Body Resilient Seat, 304 Stainless Disc



Maximum Dimensions (Inches)

Valve	Size	C _v 90°	C _v 60°	A	B	C	D(Max)	BHC	No. of Holes	Lug Bolt	Actuator	Close-Off (PSI)	
F650HDU	2"	115	44	1.65	9.00	9.00	19.50	4.75	4	5/8-11UNC	AF	50	Fail Safe
F665HDU	2½"	196	75	1.76	9.00	9.00	20.00	5.50	4	5/8-11UNC		50	
F680HDU	3"	302	116	1.78	9.00	9.00	20.50	6.00	4	5/8-11UNC		50	
F6100HDU	4"	600	230	2.05	9.00	9.00	21.00	7.50	8	5/8-11UNC	2*AF	50	
F6125HDU	5"	1022	392	2.14	9.00	9.00	22.00	8.50	8	3/4-10UNC		50	
F650HDU	2"	115	44	1.65	7.00	7.00	15.00	4.75	4	5/8-11UNC		50	
F665HDU	2½"	196	75	1.76	7.00	7.00	15.50	5.50	4	5/8-11UNC	AMB(X)	50	
F680HDU	3"	302	116	1.78	7.00	7.00	16.00	6.00	4	5/8-11UNC		50	
F6100HDU	4"	600	230	2.05	8.00	8.00	17.00	7.50	8	5/8-11UNC		50	
F6125HDU	5"	1022	392	2.14	8.00	8.00	17.50	8.50	8	3/4-10UNC	GMB(X)	50	
F6150HDU	6"	1579	605	2.19	8.00	8.00	22.50	9.50	8	3/4-10UNC		50	
F650HDU	2"	115	44	1.65	4.25	4.25	15.50	4.75	4	5/8-11UNC		50	
F665HDU	2½"	196	75	1.76	4.25	4.25	16.00	5.50	4	5/8-11UNC	SY1...	50	Non-Fail Safe
F680HDU	3"	302	116	1.78	4.25	4.25	16.25	6.00	4	5/8-11UNC		50	
F6100HDU	4"	600	230	2.05	8.00	13.00	22.00	7.50	8	5/8-11UNC		50	
F6125HDU	5"	1022	392	2.14	8.00	13.00	22.50	8.50	8	3/4-10UNC	SY2...	50	
F6150HDU	6"	1579	605	2.19	8.00	13.00	23.00	9.50	8	3/4-10UNC		50	
F6200HDU	8"	3136	1202	2.37	8.00	13.00	24.25	11.75	8	3/4-10UNC		50	
F6250HDU	10"	5340	2047	2.58	8.00	13.00	25.50	14.25	12	7/8-9UNC	SY3...	50	
F6300HDU	12"	8250	3062	3.01	8.00	13.00	27.25	17.00	12	7/8-9UNC		50	

Dimension "A" is compressed, add .125" for relaxed state.

AF, AM and GM maximum actuator ambient temperature is 122°F.

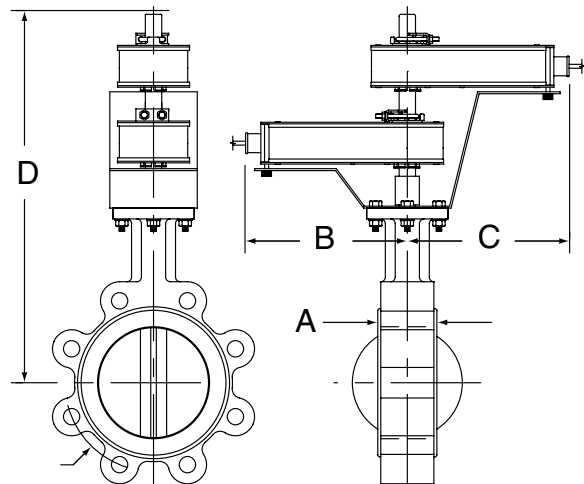
SY maximum actuator ambient temperature is 150°F.

Model SY1... does not have handwheel - override is via 8mm wrench on bottom side of actuator.

Application Notes

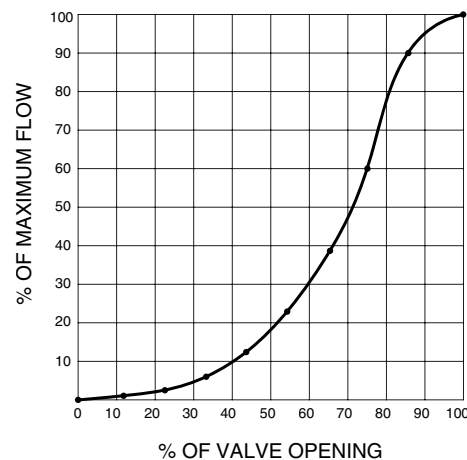
1. Valves are rated at 50 psi differential pressure in the closed position.
2. Valves are furnished with lugs tapped for use with ANSI Class 125/150 flanges. Installation flanges and hardware are not included.
3. 2-way assemblies are furnished assembled and tested, ready for installation.
4. Dimension "D" allows for actuator removal without the need to remove the valve from the pipe.
5. Weather shields are available, dimensional data upon request.
6. Dual actuated valves have actuators mounted on a common valve shaft.
7. Belimo SY Series actuators are NEMA 4X rated.

Dimensions



BF2WUDIM

Flow Pattern



IM40048 - 06/10 - Subject to change. © Belimo Aircontrols (USA), Inc.

AF Actuators, Multi-Function Technology



Models

AFX24-MFT-X1
AFX24-MFT-S-X1 w/built-in Aux. Switches

Technical Data

Power supply	24 VAC, +/- 20%, 50/60 Hz 24 VDC, +20% / -10%
Power consumption	running 7.5 W holding 3 W
Transformer sizing	10 VA (Class 2 power source)
Electrical connection	AFX... 3 ft [1m] default, 10 ft [3m] or 16 ft [5m] 18 GA appliance or plenum cables, with or without 1/2" conduit connector -S models: two 3 ft [1m] default, 10 ft [3m] or 16 ft [5m] appliance cables with or without 1/2" conduit connectors
Overload protection	electronic throughout 0 to 95° rotation
Operating range Y*	2 to 10 VDC, 4 to 20 mA (default) variable (VDC, PWM, floating point, on/off)
Input impedance	100 kΩ for 2 to 10 VDC (0.1 mA) 500 Ω for 4 to 20 mA 1500 Ω for PWM, floating point and on/off control
Feedback output U*	2 to 10 VDC, 0.5 mA max
Torque	minimum 180 in-lb (20 Nm)
Direction of rotation*	spring reversible with cw/ccw mounting motor reversible with built-in switch
Mechanical angle of rotation*	95° (adjustable with mechanical end stop, 35° to 95°)
Running time	spring <20 sec @ -4°F to 122°F [-20° C to 50° C]; <60 sec @ -22°F [-30° C] motor* 150 seconds (default), variable (70 to 220 seconds)
Angle of Rotation adaptation	off (default)
Override control*	min position = 0% mid. position = 50% max. position = 100%
Position indication	visual indicator, 0° to 95° (0° is spring return position)
Manual override	5 mm hex crank (3/16" Allen), supplied
Humidity	max. 95% RH, non-condensing
Ambient temperature	-22 to 122° F (-30 to 50° C)
Storage temperature	-40 to 176° F (-40 to 80° C)
Housing	NEMA 2, IP54, Enclosure Type 2
Housing material	zinc coated metal and plastic casing
Noise level	≤40dB(A) motor @ 150 seconds, run time dependent ≤62dB(A) spring return
Agency listings †	cULus acc. to UL60730-1A/-2-14, CAN/CSA E60730-1:02, CE acc. to 2004/108/EC & 2006/95/EC
Quality standard	ISO 9001
Servicing	maintenance free
Weight	4.6 lbs. (1.9 kg), 4.9 lbs. (2 kg) with switch

* Variable when configured with MFT options

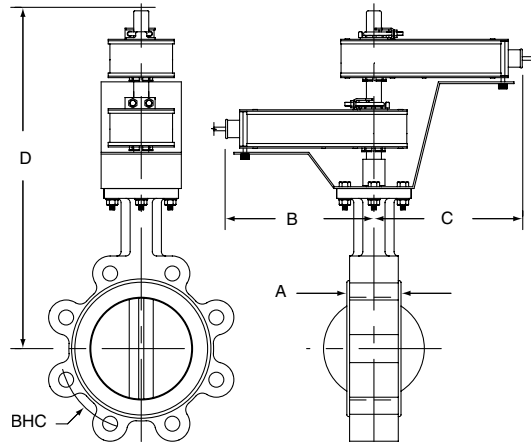
† Rated Impulse Voltage 800V, Type of action 1.AA (1.AAB for -S version), Control Pollution Degree 3.

◆ Programmed for 70 sec motor run time. At 150 sec motor run time, transformer sizing is 8.5 VA and power consumption is 6 W running / 3 W holding.

AFX24-MFT-S-X1

Auxiliary switches	2 x SPDT 3A (0.5A) @ 250 VAC, UL approved one set at +10°, one adjustable 10° to 90°
--------------------	---

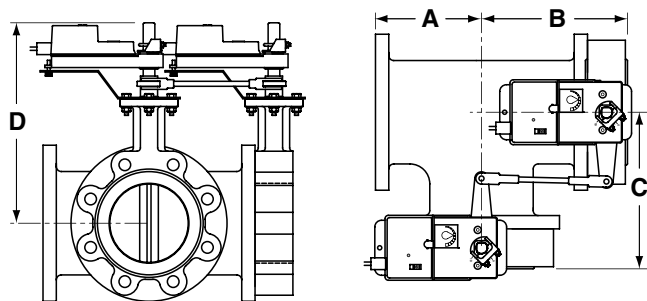
Dimensions with 2-Way Valve



BF2WUDIM_A

Valve	Size	Dimensions (Inches)				Fail Safe (psi)		
		A	B	C	D(Max)	BHC	AF	2*AF
F650HD	2"	1.65	9.00	9.00	19.50	4.75	200	
F650HDU	2"	1.65	9.00	9.00	19.50	4.75	50	
F665HD	2½"	1.76	9.00	9.00	20.00	5.50		200
F665HDU	2½"	1.76	9.00	9.00	20.00	5.50	50	
F680HD	3"	1.78	9.00	9.00	20.50	6.00		500
F680HDU	3"	1.78	9.00	9.00	20.50	6.00		50
F6100HDU	4"	2.05	9.00	9.00	21.00	7.50		50
F6125HDU	5"	2.14	9.00	9.00	22.00	8.50		50
F650-150SHP	2"	1.75	9.00	9.00	19.50	4.75		150
F665-150SHP	2½"	1.88	9.00	9.00	20.00	5.50		150
F680-150SHP	3"	1.92	9.00	9.00	20.50	6.00		150
F6100-150SHP	4"	2.13	9.00	9.00	21.00	7.50		150
F650-300SHP	2"	1.75	9.00	9.00	19.50	5.00		150
F665-300SHP	2½"	1.88	9.00	9.00	20.00	5.88		150
F680-300SHP	3"	1.92	9.00	9.00	20.50	6.63		150
F6100-300SHP	4"	2.13	9.00	9.00	21.00	7.88		150

Dimensions with 3-Way Valve



HS DWGP11

Valve	Size	Dimensions (Inches)				Fail Safe (psi)		
		A	B	C	D(Max)	BHC	AF	2*AF
F750HD	2"	4.50	6.15	6.15	15.50	4.75	200	
F750HDU	2"	4.50	6.15	6.15	15.50	4.75	50	
F765HD	2½"	5.00	6.76	6.76	16.00	5.50		200
F765HDU	2½"	5.00	6.76	6.76	16.00	5.50		50
F780HDU	3"	5.50	7.28	7.28	16.25	6.00		50

IM40048 - 06/10 - Subject to change. © Belimo Aircontrols (USA), Inc.

Wiring Diagrams

INSTALLATION NOTES

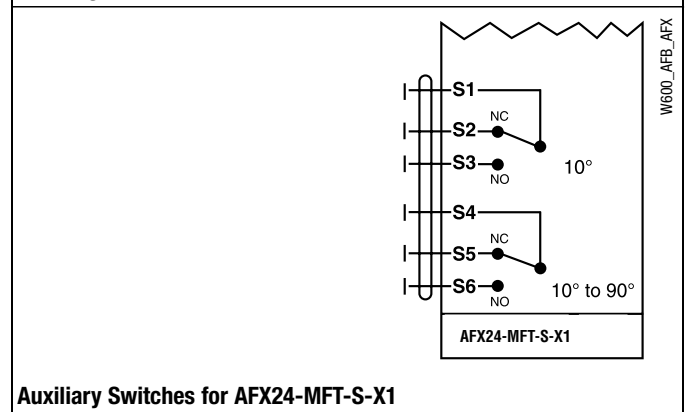
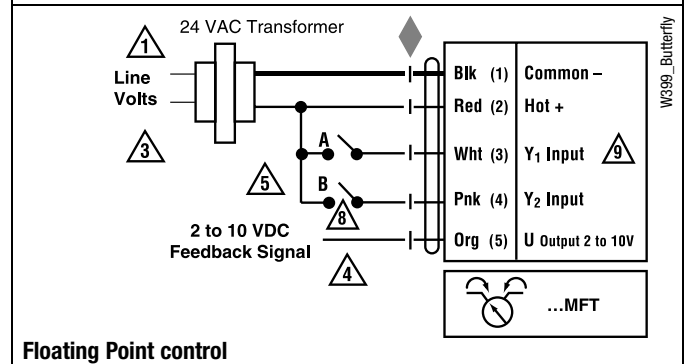
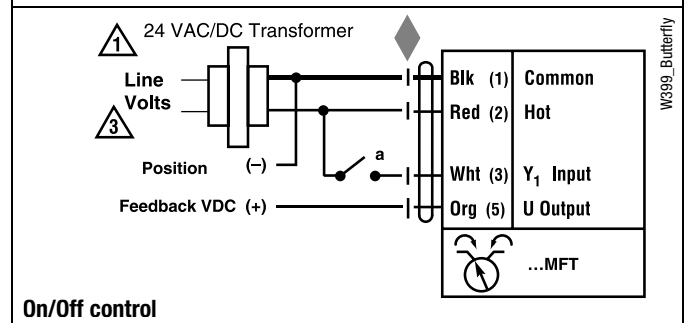
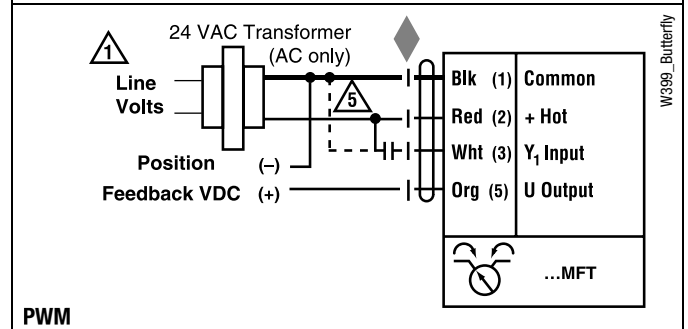
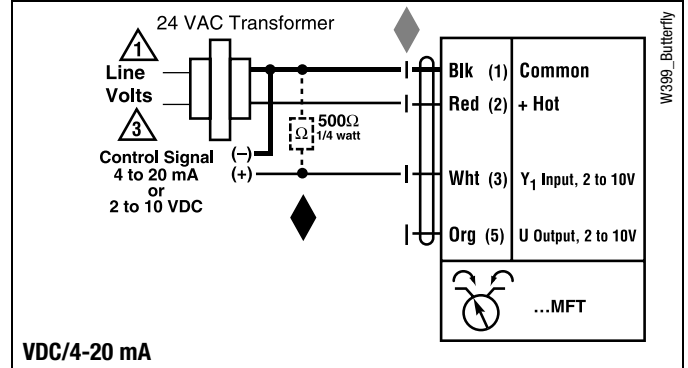
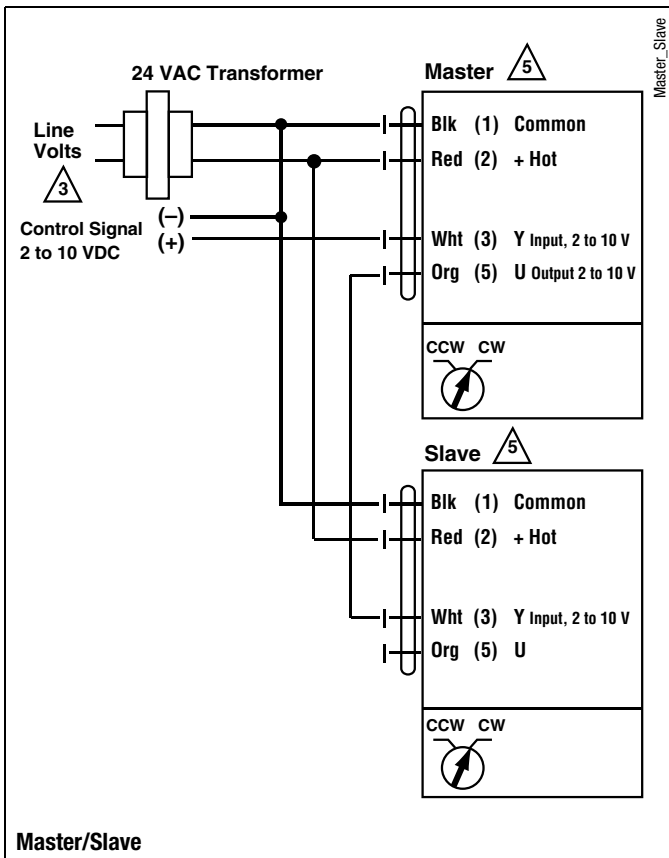
- 3 Actuators may also be powered by 24 VDC.
- 4 IN4004 or IN4007 diode (IN4007 supplied, Belimo part number 40155).
- 5 Triac A and B can also be contact closures.
- 6 Control signal may be pulsed from either the Hot (Source) or Common (Sink) 24 VAC line.
- 7 Position feedback cannot be used with Triac sink controller. The actuators internal common reference is not compatible.

APPLICATION NOTES

- ◆ The ZG-R01 500 Ω resistor converts the 4 to 20 mA control signal to 2 to 10 VDC, up to 2 actuators may be connected in parallel.
- ◆ Meets cULus or UL and CSA requirements without the need of an electrical ground connection.

WARNING Live Electrical Components!

During installation, testing, servicing and troubleshooting of this product, it may be necessary to work with live electrical components. Have a qualified licensed electrician or other individual who has been properly trained in handling live electrical components perform these tasks. Failure to follow all electrical safety precautions when exposed to live electrical components could result in death or serious injury.



M40048 - 06/10 - Subject to change. © Belimo Aircontrols (USA), Inc.