

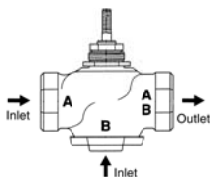


Technical Data		
	G3	G3...(D)
Service	chilled or hot water, 60% glycol	
Flow characteristic	linear	
Action	stem up - open B to AB	stem up - open B to AB
Sizes	½" to 2"	
End fitting	NPT female ends	
Materials		
Body	bronze	
Seat	bronze	
Stem	stainless steel	
Plug	brass	
Packing	spring loaded TFE	
Disc	none	
ANSI class	ANSI 250 (up to 400 psi below 150°F)	
Leakage	ANSI III	
Media temperature water	20°F to 250°F (-7°C to 120°C)	
Maximum ΔP* water	35 psi (241 kPa)	
Rangeability	500:1	
Valve weights	G314, G315(D)	2 lbs
	G320	3 lbs
	G320D	2.5 lbs
	G325, G332(D)	2.5 lbs
	G325D	5 lbs
	G340(D), G350(D)	14 lbs

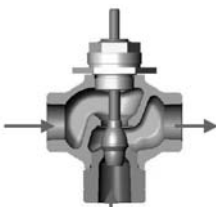
* (50% or more open)

G3...(D) 3-way Flow Patterns

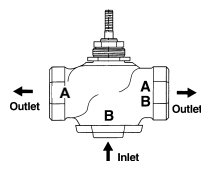
G3 3-way Mixing Valve



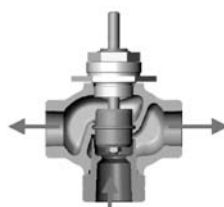
Stem Up - Open B to AB



G3...(D) 3-way Diverting Valve



Stem Up - Open B to AB



Note: Flow B to A travels through center of plug (as shown).

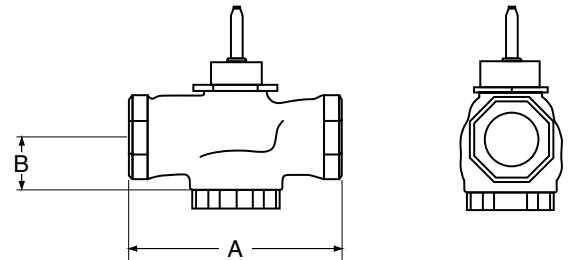
Application

This valve is typically used in Air Handling Units on heating or cooling coils and Fan Coil Unit heating or cooling coils. Some other common applications include Unit Ventilators, VAV Box reheat coils and bypass loops. This valve is suitable for use in a hydronic system with constant or variable flow.

3-way valves are available with mixing or diverting flow patterns.

Valve Nominal Size			Type	Suitable Actuators		
C _v	Inches	DN [mm]	3-way NPT	Non-Spring	Spring	
2.2	½	15	G314	LM Series	NV Series	LF Series
4.4	½	15	G315(D)			
7.5	¾	20	G320(D)			
14	1	25	G325(D)	NM	NF	NVF Series
20	1¼	32	G332(D)			
28	1½	40	G340(D)	AM Series	AF(X) Series	NVF Series
41	2	50	G350			
40	2	50	G350(D)			

Dimensions



D078-3W

Valve Body	Valve Nominal Size		Dimensions (Inches [mm])	
	Inches	DN [mm]	A	B
G314	½"	15	3.06" [78]	1.37" [35]
G315(D)	½"	15	3.06" [78]	1.37" [35]
G320(D)	¾"	20	3.62" [92]	1.68" [43]
G325(D)	1"	25	4.62" [117]	1.56" [40]
G332(D)	1¼"	32	4.62" [117]	1.62" [41]
G340(D)	1½"	40	5.37" [137]	1.62" [41]
G350(D)	2"	50	6.12" [156]	1.87" [48]

Piping

The valves should be mounted in a weather-protected area in a location that is within the ambient limits of the actuator. Allow sufficient room for valve with actuator and for service. For the NV Series, allow 6" for cover removal and 12" for complete actuator removal. The G2(S) and G3(D) preferred mounting position of the valve is with the valve stem vertical above the valve body, for maximum life. However, the assemblies can be mounted with the valve stem vertical or horizontal in relation to the pipe. The actuators should never be mounted underneath the valve, as condensation can build up and result in a failure of the actuators. Do not reverse flow direction.

AF24(-S) US Actuators, On/Off



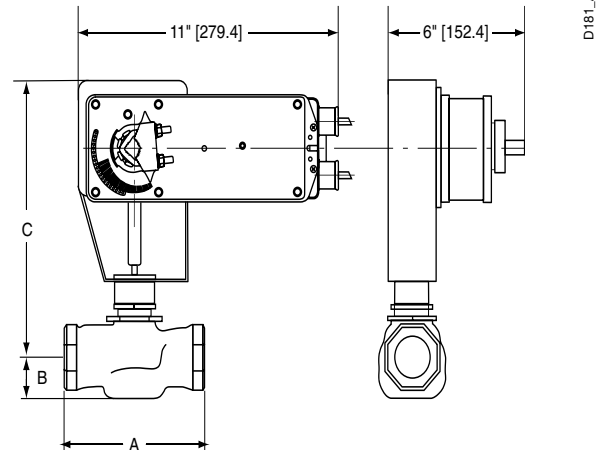
Models

AF24 US
AF24-S US w/built-in Aux. Switches

Technical Data		
Control		on/off
Power supply		24 VAC ± 20% 50/60 Hz 24 VDC ± 10%
Power consumption	running	5 W
	holding	1.5 W
Transformer sizing		10 VA (Class 2 power)
Electrical connection		3 ft, 18 GA appliance cables (-S model has 2 cables) ½" conduit connector
Electrical protection		auxiliary switches are double insulated
Overload protection		electronic throughout 0° to 95° rotation
Angle of rotation		95°
Position indication		visual indicator, 0° to 95°
Manual override		hex crank
Running time	control	150 seconds independent of load
	spring	< 20 seconds
Ambient temperature		-22° F to 122° F [-30° C to 50° C]
Housing		NEMA 2 / IP54
Agency listings		UL 873, CSA C22.2 No. 24 certified, CE
Noise level		max. 45 dB(A)

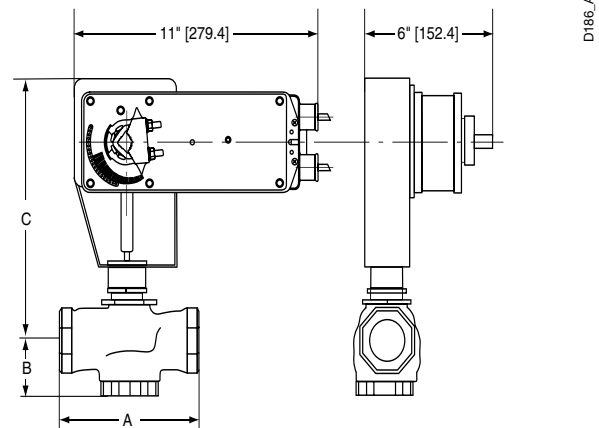
AF24-S US		
Auxiliary switches		2 x SPDT, 7A (2.5A) @ 250 VAC, UL listed, one switch is fixed at +5°, one is adjustable 25° to 85° (double insulated)

Dimensions with G2...(S) Series 2-Way Valve



Valve Nominal Size			Dimensions (Inches [mm])		
Valve Body	Inches	DN [mm]	A	B	C
G2(S)	1½"	40	5.37" [137]	1.50" [38]	8.50" [216]
G2(S)	2"	50	6.12" [156]	1.56" [40]	8.56" [217]

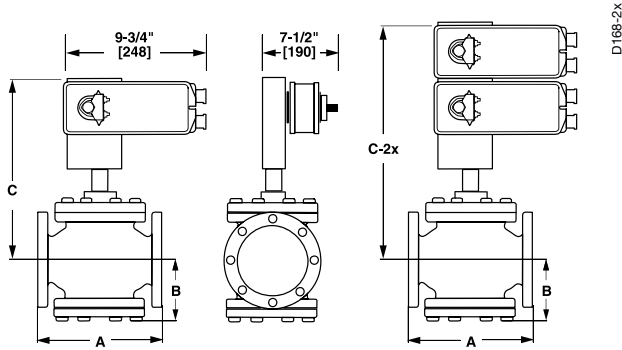
Dimensions with G3...(D) Series 3-Way Valve



Valve Nominal Size			Dimensions (Inches [mm])		
Valve Body	Inches	DN [mm]	A	B	C
G3(D)	1½"	40	5.37" [137]	1.62" [41]	8.62" [219]
G3(D)	2"	50	6.12" [156]	1.87" [48]	8.87" [225]

N40021 - 06/11 - Subject to change. © Belimo Aircontrols (USA), Inc.

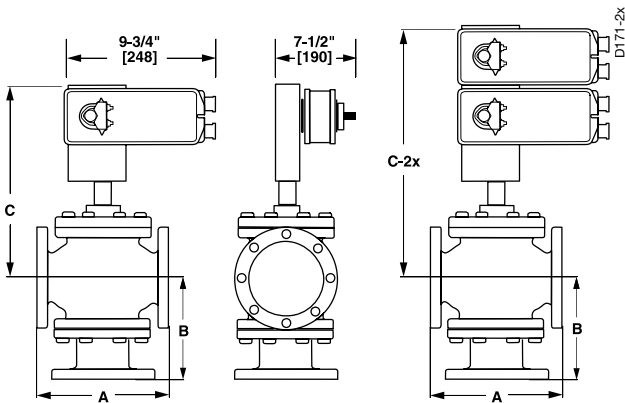
Dimensions with G6/G6C ANSI 125 and G6 ANSI 250 Series 2-Way Valve



Valve Nominal Size			Dimensions (Inches [mm])		
Valve Body	Inches	DN [mm]	A	B	C
G6 ANSI 125	2½"	65	9.00" [229]	4.75" [121]	13.50" [343]
G6 ANSI 125	3"	80	10.00" [254]	5.37" [136]	13.94" [354]
G6 ANSI 250	2½"	65	9.62" [244]	4.75" [121]	14.00" [356]
G6 ANSI 250	3"	80	10.75" [273]	5.37" [136]	14.12" [359]
G6C ANSI 125	2½"	65	9.00" [229]	4.75" [121]	13.50" [343]
G6C ANSI 125	3"	80	10.00" [254]	5.37" [136]	13.94" [354]

Valve Nominal Size			Dimensions (Inches [mm])		
Valve Body	Inches	DN [mm]	A	B	C-2x
G6 ANSI 125	2½"	65	9.00" [229]	4.75" [121]	18.25" [464]
G6 ANSI 125	3"	80	10.00" [254]	5.37" [136]	19.18" [487]
G6 ANSI 250	2½"	65	9.62" [244]	4.75" [121]	18.75" [476]
G6 ANSI 250	3"	80	10.75" [273]	5.37" [136]	19.75" [502]
G6C ANSI 125	4"	100	13.00" [330.2]	6.87" [175]	20.25" [514]
G6C ANSI 125	5"	125	15.75" [400]	7.87" [200]	20.87" [530]
G6C ANSI 125	6"	150	17.75" [451]	8.50" [216]	21.50" [546]

Dimensions with G7/G7D ANSI 125/250 Series 3-Way Valve



Valve Nominal Size			Dimensions (Inches [mm])		
Valve Body	Inches	DN [mm]	A	B	C
G7 & G7D ANSI 125	2½"	65	9.00" [229]	7.12" [181]	13.87" [352]
G7 & G7D ANSI 125	3"	80	10.00" [254]	8.00" [203]	14.44" [367]
G7D ANSI 125	4"	100	13.00" [330.2]	9.87" [251]	15.25" [387]
G7 & G7D ANSI 250	2½"	65	9.62" [244]	7.37" [187]	14.00" [356]
G7 & G7D ANSI 250	3"	80	10.75" [273]	8.37" [213]	14.62" [371]
G7D ANSI 250	4"	100	13.62" [346]	10.25" [260]	15.25" [387]

Dimensions with G7/G7D ANSI 125/250 Series 3-Way Valve

Valve Body	Valve Nominal Size		Dimensions (Inches [mm])		
	Inches	DN [mm]	A	B	C-2x
G7 ANSI 125	2½"	65	9.00" [229]	7.12" [181]	18.37" [467]
G7 ANSI 125	3"	80	10.00" [254]	8.00" [203]	19.18" [487]
G7D ANSI 125	5"	125	12.00" [305]	10.50" [267]	20.56" [522]
G7D ANSI 125	6"	150	14.12" [359]	11.12" [282]	21.25" [540]
G7 ANSI 250	2½"	65	9.62" [244]	7.37" [187]	18.75" [476]
G7 ANSI 250	3"	80	10.75" [273]	8.37" [213]	19.37" [492]
G7D ANSI 250	5"	125	12.87" [327]	11.00" [279]	20.56" [522]
G7D ANSI 250	6"	150	14.50" [368]	11.50" [292]	21.25" [540]

Wiring Diagrams

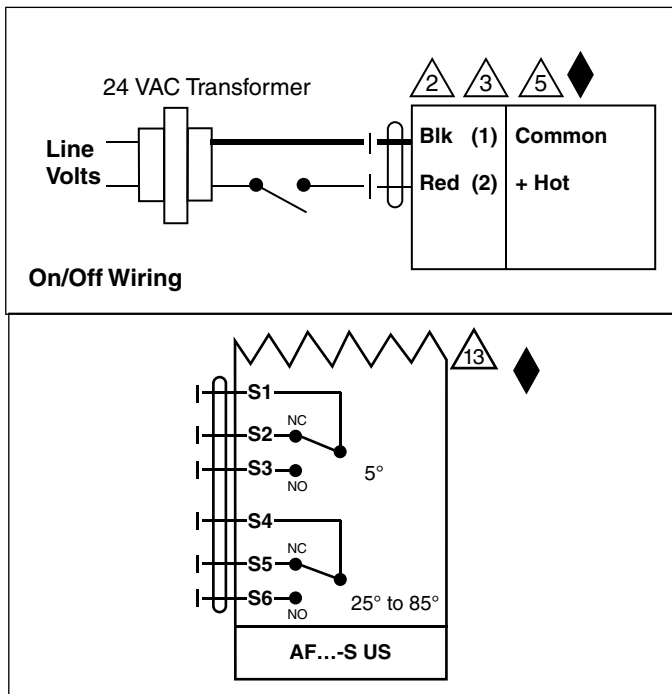
INSTALLATION NOTES

- CAUTION Equipment damage!**
Actuators may be connected in parallel. Power consumption must be observed.
- Actuators may also be powered by 24 VDC.
- Actuators with plenum rated cable do not have numbers on wires; use color codes instead. Actuators with appliance cables are numbered.

APPLICATION NOTES

- Meets cULus or UL and CSA requirements without the need of an electrical ground connection.

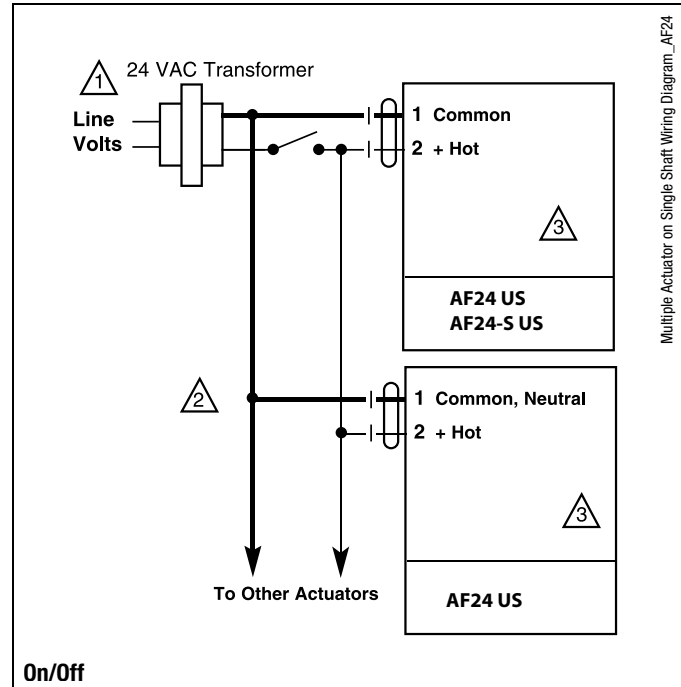
WARNING Live Electrical Components!
During installation, testing, servicing and troubleshooting of this product, it may be necessary to work with live electrical components. Have a qualified licensed electrician or other individual who has been properly trained in handling live electrical components perform these tasks. Failure to follow all electrical safety precautions when exposed to live electrical components could result in death or serious injury.



Auxiliary Switch Wiring for AF... -S US

Wiring Diagrams for Multiple On/Off Actuators

- Provide overload protection and disconnect as required..
- Actuators may be connected in parallel. Power consumption must be observed.
- Actuators may also be powered by 24 VDC.
- Same model numbers must be used when mounted on one shaft..



	Non-Spring Return						Spring Return					
	NVD	NV	NVG	LM	NM	AM	NVFD	NVF	LF	NF	AF	AFX
2-way												
G212(S)	250			250			250		250			
G213(S)	250			250			250		250			
G214(S)	250			250			250		250			
G215(S)	250			250			250		250			
G219(S)	250			242			250		185			
G220(S)	250			242			250		185			
G224(S)		250			250			207		250		
G225(S)		250			250			207		250		
G232(S)		162			158			130		158		
G240(S)		110	160			230		88			169	230
G250(S)		58	190			127		47			93	127
3-way Mixing												
G314	250			250			250		250			
G315	250			250			250		250			
G320	250			242			250		185			
G325		250			250			207		250		
G332		162			158			130		158		
G340		110				230		88			169	230
G350		58				127		47			93	127
3-way Diverting												
G315D	250			250			250		250			
G320D	250			250			250		250			
G325D	250				250		250			250		
G332D		250			250			250		250		
G340D		250				250		250			250	250
G350D		250				250		250			250	250