

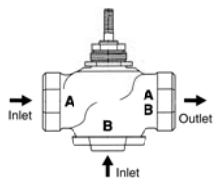
# G3...(D) 3-way Globe Valve, Bronze Trim



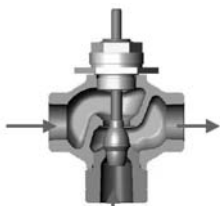
Technical Data		G3	G3...D
Service	chilled or hot water, 60% glycol		
Flow characteristic	linear		
Action	stem up - open B to AB		stem up - open B to AB
Sizes	½" to 2"		
End fitting	NPT female ends		
Materials			
Body	bronze		
Seat	bronze		
Stem	stainless steel		
Plug	brass		
Packing	spring loaded TFE		
Disc	none		
ANSI Class	ANSI 250 (up to 400 psi below 150°F)		
Leakage	ANSI III		
Media temperature			
Water	20°F to 250°F (-7°C to 120°C)		
Maximum ΔP*	A port- 87 psi (600 kPa)	35 psi (241 kPa)	
Water	B port- 35 psi (241 kPa)		
Rangeability	500:1		
*(50% or more open)			

### G3...(D) 3-way Flow Patterns

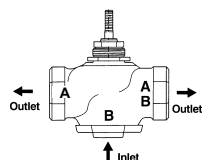
**G3 3-way Mixing Valve**



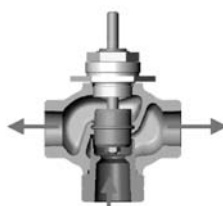
**Stem Up- Open B to AB**



**G3...D 3-way Diverting Valve**



**Stem Up- Open B to AB**



Note: Flow B to A travels through center of plug (as shown).

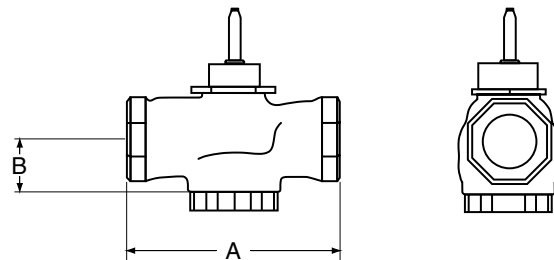
## Application

This valve is typically used in Air Handling Units on heating or cooling coils and Fan Coil Unit heating or cooling coils. Some other common applications include Unit Ventilators, VAV Box reheat coils and bypass loops. This valve is suitable for use in a hydronic system with constant or variable flow.

3-way valves are available with mixing or diverting flow patterns.

Valve Nominal Size			Type	Suitable Actuators		
C <sub>v</sub>	Inches	DN [mm]	3-way NPT	Non-Spring	Spring	
2.2	½	15	G314	LM Series	NV Series	LF Series
4.4	½	15	G315(D)			
7.5	¾	20	G320(D)	NM	NF	NVF Series
14	1	25	G325(D)			
20	1¼	32	G332(D)	AM Series	AF(X) Series	
28	1½	40	G340(D)			
41	2	50	G350			
40	2	50	G350(D)			

## Dimensions



D078-3W

Valve Body	Valve Nominal Size		Dimensions (Inches [mm])	
	Inches	DN [mm]	A	B
G314	½"	15	3.06" [78]	1.37" [35]
G315(D)	½"	15	3.06" [78]	1.37" [35]
G320(D)	¾"	20	3.62" [92]	1.68" [43]
G325(D)	1"	25	4.62" [117]	1.56" [40]
G332(D)	1¼"	32	4.62" [117]	1.62" [41]
G340(D)	1½"	40	5.37" [137]	1.62" [41]
G350(D)	2"	50	6.12" [156]	1.87" [48]

## Piping

The valves should be mounted in a weather-protected area in a location that is within the ambient limits of the actuator. Allow sufficient room for valve with actuator and for service. For the NV Series, allow 6" for cover removal and 12" for complete actuator removal. The G2(S) and G3(D) preferred mounting position of the valve is with the valve stem vertical above the valve body, for maximum life. However, the assemblies can be mounted with the valve stem vertical or horizontal in relation to the pipe. The actuators should never be mounted underneath the valve, as condensation can build up and result in a failure of the actuators. Do not reverse flow direction.



### Models

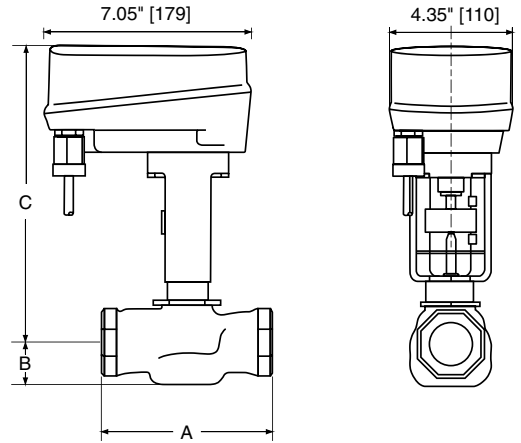
NVF24 US	Spring Up
NVF24-E US Spring Down	
NVFD24 US Spring Up	
NVFD24-E US	Spring Down

### Technical Data

Power supply	24 VAC ± 20% 50/60 Hz, 24 VDC ± 10%
Nominal Voltage Range	19.2...28.8 VAC, 21.6...28.8 VDC
Power consumption	5.5 W
Transformer sizing	10 VA (Class 2 power source)
Electrical connection	3 ft, 18 GA plenum rated cable ½" conduit connector
Overload protection	electronic throughout stroke
Control Signal Y	On/Off
Operating range	2 to 10 VDC
Maximum stroke	¾" [20mm]
Plunger	
NVF...24 US	spring up
NVF...24-E US	spring down
Force	
NVFD24(-E) US	90 lbf [400 N]
NVF24(-E) US	180 lbf [800 N]
Position indication	stroke indicator on bracket
Manual override	3/16" hex, 5mm hex or phillips screwdriver
Running time	motor spring
motor	150 seconds, independent of load
spring	30 seconds at ¾" [20mm] stroke
Humidity	5 to 95% RH non-condensing
Ambient temperature	32°F to 122°F [0°C to 50°C]
Storage temperature	20°F to 250°F [-7°C to 120°C]
Housing	NEMA 2/IP54 with cable entry down
Housing material	UL94-5V (flammability rating)
Agency listings†	CE, UL 60730-1, CSA C22.2 No. 139 certified
EMC	CE acc. to 89/336/EEC
Software	Class A to UL 60730-1
Mode of operation	Type 1 to UL 60730-1
Noise level	<35 dB(A)
Quality standard	ISO 9001

### Dimensions with G2... Series 2-Way Valve

Assembly using UNV-001 Bracket

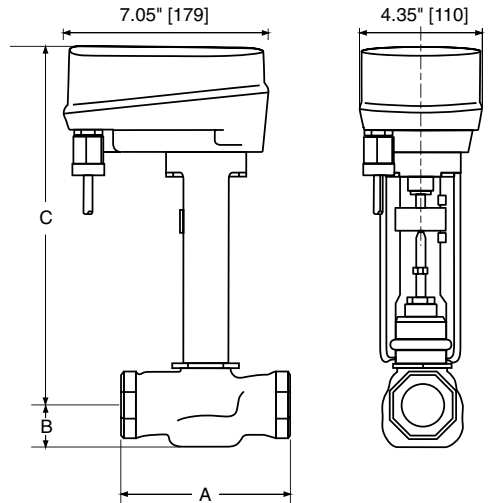


D081

Valve Body	Valve Nominal Size		Dimensions (Inches [mm])		
	Inches	DN [mm]	A	B	C
G2	1/2"	15	3.00" [76]	1.06" [27]	9.75" [248]
G2	3/4"	20	3.62" [92]	1.06" [27]	9.75" [248]
G2	1"	25	4.62" [117]	1.12" [29]	10.43" [265]
G2	1-1/4"	32	4.62" [117]	1.37" [35]	10.43" [265]
G2	1-1/2"	40	5.37" [137]	1.50" [38]	10.50" [267]
G2	2"	50	6.12" [156]	1.56" [40]	10.81" [275]

### Dimensions with G2...S Series 2-Way Valve

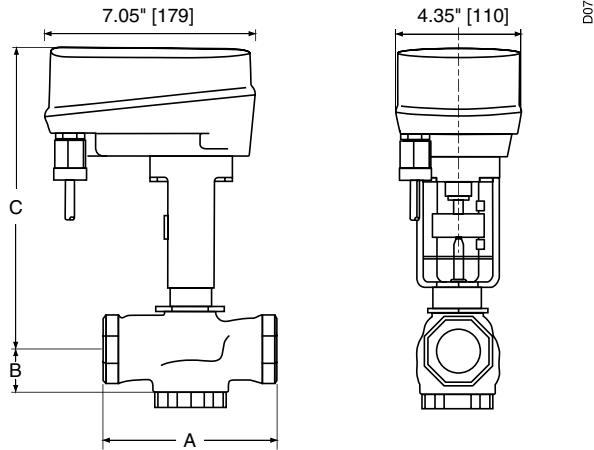
Assembly using UNV-035 Bracket (Bracket is 1.563" longer than UNV-001)



D086

Valve Body	Valve Nominal Size		Dimensions (Inches [mm])		
	Inches	DN [mm]	A	B	C
G2S	1/2"	15	3.00" [76]	1.06" [27]	11.31" [287]
G2S	3/4"	20	3.62" [92]	1.06" [27]	11.31" [287]
G2S	1"	25	4.62" [117]	1.12" [29]	12.00" [305]
G2S	1-1/4"	32	4.62" [117]	1.37" [35]	12.00" [305]
G2S	1-1/2"	40	5.37" [137]	1.50" [38]	12.06" [306]
G2S	2"	50	6.12" [156]	1.56" [40]	12.37" [314]

## Dimensions with G3...(D) Series 3-Way Valve

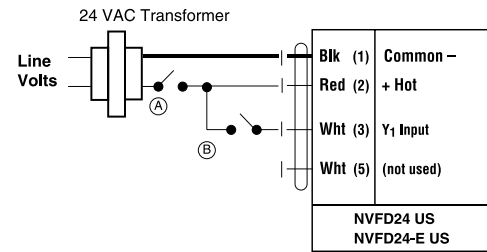


D078

Valve Nominal Size      Dimensions (Inches [mm])

Valve Body	Valve Nominal Size		Dimensions (Inches [mm])		
	Inches	DN [mm]	A	B	C
G3(D)	1/2"	15	3.00" [76]	1.37" [35]	9.75" [248]
G3(D)	1/2"	15	3.00" [76]	1.37" [35]	9.75" [248]
G3(D)	3/4"	20	3.62" [92]	1.68" [43]	9.75" [248]
G3(D)	1"	25	4.62" [117]	1.56" [40]	9.81" [249]
G3(D)	1-1/4"	32	4.62" [117]	1.62" [41]	10.06" [256]
G3(D)	1-1/2"	40	5.37" [137]	1.62" [41]	9.18" [234]
G3(D)	2"	50	6.12" [156]	1.87" [48]	9.25" [235]

## Wiring Diagrams



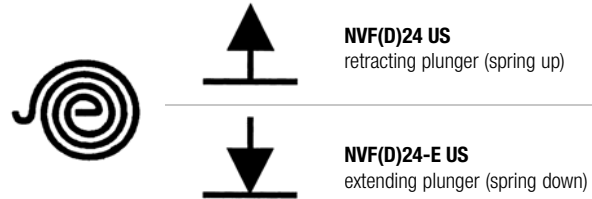
W136-ON-OFF

	Actuator		Control Switch Location	Correct LED Indication
	"Open" (Switch Selectable)	"Closed" (Switch Selectable)		
OFF/ON Drive "open" Spring "closed"	150 sec. (MFT selectable)	30 sec. Spring return	(A)	Flashing Red
OFF/ON Drive "open" Drive "closed"	150 sec. (MFT selectable)	150 sec. (MFT selectable)	(B)	Steady Green

If the switch location "A" is selected, the switch in location "B" is not required.  
If the switch location "B" is selected, the switch in location "A" is not required.

## On/Off control

## Spring Return Actuators Model Designation



	Non-Spring Return						Spring Return					
	NVD	NV	NVG	LM	NM	AM	NVFD	NVF	LF	NF	AF	AFX
<b>2-way</b>												
G212(S)	250			250			250		250			
G213(S)	250			250			250		250			
G214(S)	250			250			250		250			
G215(S)	250			250			250		250			
G219(S)	250			250			250		185			
G220(S)	250			250			250		185			
G224(S)		250			250			207		250		
G225(S)		250			250			207		250		
G232(S)		162			158			130		158		
G240(S)		110	160			230		88			169	230
G250(S)		58	190			127		47			93	127
<b>3-way Mixing</b>												
G314	250			250			250		250			
G315	250			250			250		250			
G320	250			250			250		250			
G325		250			168			207		250		
G332		162			105			130		158		
G340		110				169		88			169	230
G350		58				93		47			93	127
<b>3-way Diverting</b>												
G315D	250			250			250		250			
G320D	250			250			250		250			
G325D	250				250		250			250		
G332D		250			250			250		250		
G340D		250				250		250			250	250
G350D		250				250		250			250	250