

# G7...DS-250 3-way Diverting ANSI 250 Flanged Globe Valve, Stainless Steel Trim



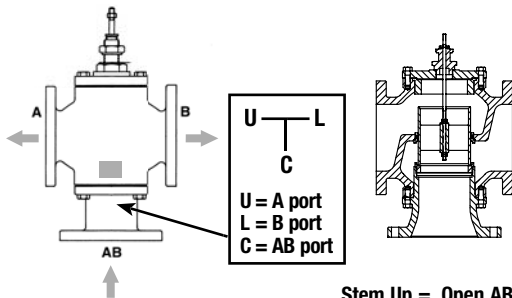
## Technical Data

### G7...DS-250

Service	chilled or hot water, 60% glycol
Flow characteristic	linear
Action	stem up - open AB to B
Sizes	2½" to 6"
End fitting	250 lb. flanged
Materials	
Body	iron
Seat	stainless steel
Stem	stainless steel
Plug	stainless steel
Packing	TFE V-ring
ANSI class	ANSI 250
Leakage	ANSI Class III
Max inlet	
Water	250 psi (1724kPa) @ 350°F
Media temperature	
Water	32°F to 350°F (0°C to 176°C)
Maximum ΔP*	
Water	50 psi (340kPa)
Rangeability	50:1

\*(50% or more open)

## G7...DS-250 3-way Flow Patterns



Flow Pattern is marked on valve.

Stem Up = Open AB to B  
Open C to L

## Application

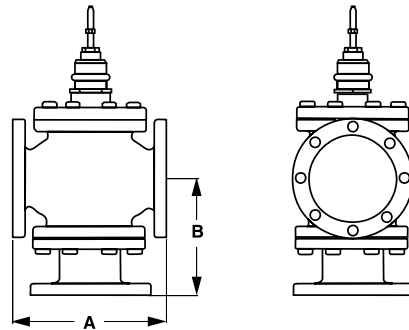
This valve is typically used in Large Air Handling Units on heating or cooling coils. This valve is suitable for use in a hydronic system with variable flow.

Valves are designed for ANSI 250 piping systems.  
These valves are to be used in Diverting applications only.

## Valve Nominal Size Type Suitable Actuators

C <sub>v</sub>	Inches	3-way Flanged	Suitable Actuators		
			Non-Spring	Spring	Electronic Fail-Safe
68	2½	G765DS-250	HWG	GM Series	GK Series
85	3	G780DS-250			
154	4	G7100DS-250		AF(X) Series	
195	5	G7125DS-250			
248	6	G7150DS-250			

## Dimensions



D169-G73W

## Valve Nominal Size Dimensions (Inches [mm])

Valve Body	Valve Nominal Size		Dimensions (Inches [mm])	
	Inches	DN [mm]	A	B
G765DS-250	2½"	[65]	9.63" [245]	7.38" [188]
G780DS-250	3"	[80]	10.75" [273]	8.38" [213]
G7100DS-250	4"	[100]	13.63" [346]	10.25" [260]
G7125DS-250	5"	[125]	12.88" [327]	11.00" [279]
G7150DS-250	6"	[150]	14.50" [368]	11.50" [292]

## Piping

The valves should be mounted in a weather-protected area in a location that is within the ambient limits of the actuator. Allow sufficient room for valve with actuator and for service. For the NV Series, allow 6" for cover removal and 12" for complete actuator removal. The G6/G7 preferred mounting position of the valve is with the valve stem vertical above the valve body, for maximum life. However, the assemblies can be mounted with valve stem vertical above the valve or up to 45 degrees in relation to the horizontal pipe. The actuators should never be mounted underneath the valve, as condensation can build up and result in a failure of the actuators. Do not reverse flow direction.

M40026 - 07/10 - Subject to change. © Belimo Aircontrols (USA), Inc.

# AFX24-MFT-X1 Actuators, Multi-Function Technology



**MFT**

**5 YEAR WARRANTY**



## Models

AFX24-MFT-X1  
AFX24-MFT-S-X1 w/built-in Aux. Switch

Technical Data	
Power supply	24 VAC, +/- 20%, 50/60 Hz 24 VDC, +20% / -10%
Power consumption	7.5 W running 3 W holding
Transformer sizing	10 VA (Class 2 power source)
Electrical connection	3 ft [1m], 10 ft [3m] or 16 ft [5m] 18 GA appliance or plenum cables, with or without ½" conduit connector <b>-S models:</b> Two 3 ft [1m], 10 ft [3m] or 16 ft [5m] appliance cables with or without ½" conduit connectors
Overload protection	electronic throughout 0 to 95° rotation
Operating range Y*	2 to 10 VDC, 4 to 20 mA (default) Variable (VDC, PWM, Floating Point, On/Off)
Input impedance	100 kΩ for 2 to 10 VDC (0.1 mA) 500 Ω for 4 to 20 mA 1500 Ω for PWM, Floating point and On/Off control
Feedback output U*	2 to 10 VDC, 0.5 mA max
Torque	minimum 180 in-lb (20 Nm)
Direction of rotation*	spring reversible with cw/ccw mounting motor reversible with built-in switch
Mechanical angle of rotation*	95° (adjustable with mechanical end stop, 35° to 95°)
Running time	spring <20 sec @ -4°F to 122°F [-20° C to 50° C]; <60 sec @ -22°F [-30° C] motor* 150 seconds (default), variable (70 to 220 seconds)
Angle of Rotation adaptation	Off (Default)
Override control*	Min Position = 0% Mid. Position = 50% Max. Position = 100%
Position indication	visual indicator, 0° to 95° (0° is spring return position)
Auxiliary switches (AF24-MFT-S US)	2 x SPDT 3A (0.5A) @ 250 VAC, UL Approved, one set at +10°, one adjustable 10° to 90°
Manual override	5 mm hex crank (⅜" Allen), supplied
Humidity	max. 95% RH, non-condensing
Ambient temperature	-22 to 122° F (-30 to 50° C)
Housing	NEMA 2, IP54, Enclosure Type 2
Housing material	zinc coated metal and plastic casing
Noise level	≤40dB(A) motor @ 150 seconds, run time dependant ≤62dB(A) spring return
Agency listings †	cULus acc. to UL60730-1A/-2-14, CAN/CSA E60730-1:02, CE acc. to 2004/108/EC & 2006/95/EC
Quality standard	ISO 9001
Weight	4.2 lbs. (1.9 kg), 4.3 lbs. (2 kg) with switch

\* Variable when configured with MFT options

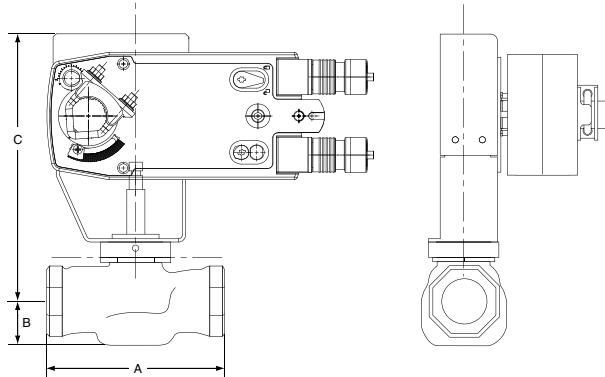
† Rated Impulse Voltage 800V, Type of action 1.AA (1.AA.B for -S version), Control Pollution Degree 3.

◆ Programmed for 70 sec motor run time. At 150 sec motor run time, transformer sizing is 8.5 VA and power consumption is 6 W running / 3 W holding.

AFX24-MFT-S-X1	
Auxiliary switches	2 x SPDT 3A (0.5A) @ 250 VAC, UL Approved one set at +10°, one adjustable 10° to 90°

## Dimensions with G2...(S) Series 2-Way Valve

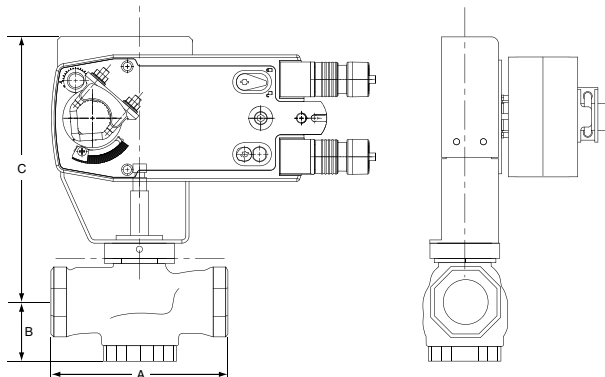
D180



Valve Body	Valve Nominal Size		Dimensions (Inches [mm])		
	Inches	DN [mm]	A	B	C
G2(S)	1½"	40	5.37" [137]	1.50" [38]	8.50" [216]
G2(S)	2"	50	6.12" [156]	1.56" [40]	8.56" [217]

## Dimensions with G3...(D) Series 3-Way Valve

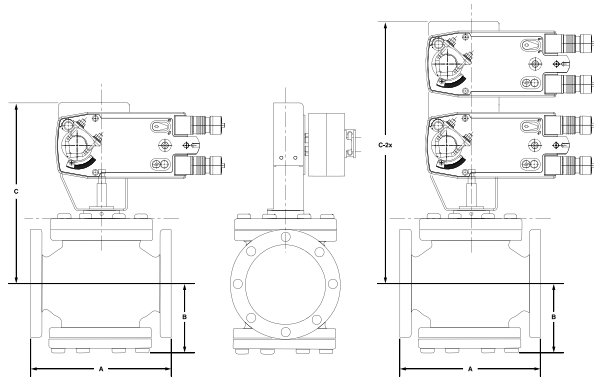
D185



Valve Body	Valve Nominal Size		Dimensions (Inches [mm])		
	Inches	DN [mm]	A	B	C
G3(D)	1½"	40	5.37" [137]	1.62" [41]	8.62" [219]
G3(D)	2"	50	6.12" [156]	1.87" [48]	8.87" [225]

M40026 - 07/10 - Subject to change. © Belimo Aircontrols (USA), Inc.

### Dimensions with G6/G6C ANSI 125 and G6 ANSI 250 Series 2-Way Valve



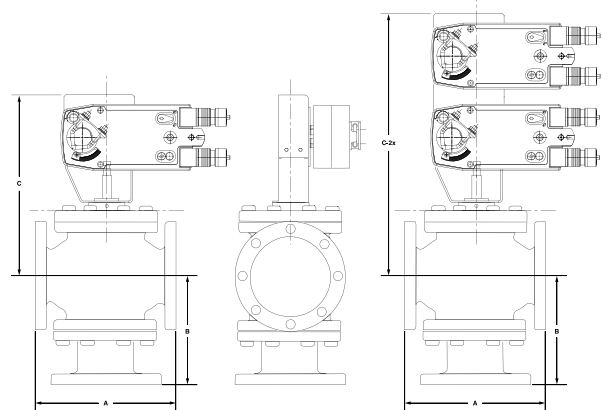
Valve Nominal Size Dimensions (Inches [mm])

Valve Body	Inches	DN [mm]	A	B	C
G6 ANSI 125	2½"	65	9.00" [229]	4.75" [121]	13.50" [343]
G6 ANSI 125	3"	80	10.00" [254]	5.37" [136]	13.94" [354]
G6 ANSI 250	2½"	65	9.62" [244]	4.75" [121]	14.00" [356]
G6 ANSI 250	3"	80	10.75" [273]	5.37" [136]	14.12" [359]
G6C ANSI 125	2½"	65	9.00" [220]	4.75" [121]	13.50" [343]
G6C ANSI 125	3"	80	10.00" [254]	5.37" [136]	13.94" [354]

Valve Nominal Size Dimensions (Inches [mm])

Valve Body	Inches	DN [mm]	A	B	C-2x
G6 ANSI 125	2½"	65	9.00" [229]	4.75" [121]	18.25" [464]
G6 ANSI 125	3"	80	10.00" [254]	5.37" [136]	19.18" [487]
G6 ANSI 250	2½"	65	9.62" [244]	4.75" [121]	18.25" [464]
G6 ANSI 250	3"	80	10.75" [273]	5.37" [136]	19.18" [487]
G6C ANSI 125	4"	100	13.00" [330.2]	6.87" [175]	20.25" [514]
G6C ANSI 125	5"	125	15.75" [400]	7.87" [200]	20.87" [530]
G6C ANSI 125	6"	150	17.75" [451]	8.50" [216]	21.50" [546]

### Dimensions with G7 and G7D ANSI 125/250 Series 3-Way Valve



Valve Nominal Size Dimensions (Inches [mm])

Valve Body	Inches	DN [mm]	A	B	C
G7 & G7D ANSI 125	2½"	65	9.00" [229]	7.12" [181]	13.87" [352]
G7 & G7D ANSI 125	3"	80	10.00" [254]	8.00" [203]	14.43" [367]
G7D ANSI 125	4"	100	13.00" [330]	9.87" [251]	15.25" [387]
G7 & G7D ANSI 250	2½"	65	9.62" [244]	7.37" [187]	14.00" [356]
G7 & G7D ANSI 250	3"	80	10.75" [273]	8.37" [213]	14.62" [371]
G7D ANSI 250	4"	100	13.62" [346]	10.25" [260]	15.25" [387]

Valve Nominal Size Dimensions (Inches [mm])

Valve Body	Inches	DN [mm]	A	B	C-2x
G7 ANSI 125	2½"	65	9.00" [229]	7.12" [181]	18.25" [464]
G7 ANSI 125	3"	80	10.00" [254]	8.00" [203]	19.18" [487]
G7 ANSI 125	4"	100	13.00" [330.2]	9.87" [251]	20.00" [508]
G7D ANSI 125	5"	125	12.00" [305]	10.50" [267]	18.37" [467]
G7D ANSI 125	6"	150	14.12" [359]	11.12" [282]	19.18" [487]
G7 ANSI 250	2½"	65	9.62" [244]	7.37" [187]	18.75" [476]
G7 ANSI 250	3"	80	10.75" [273]	8.37" [213]	19.37" [492]
G7 ANSI 250	4"	100	13.62" [346]	10.25" [260]	20.37" [517]
G7D ANSI 250	5"	125	12.87" [327]	11.00" [279]	20.56" [522]
G7D ANSI 250	6"	150	14.50" [368]	11.50" [292]	21.25" [540]

## Wiring Diagrams

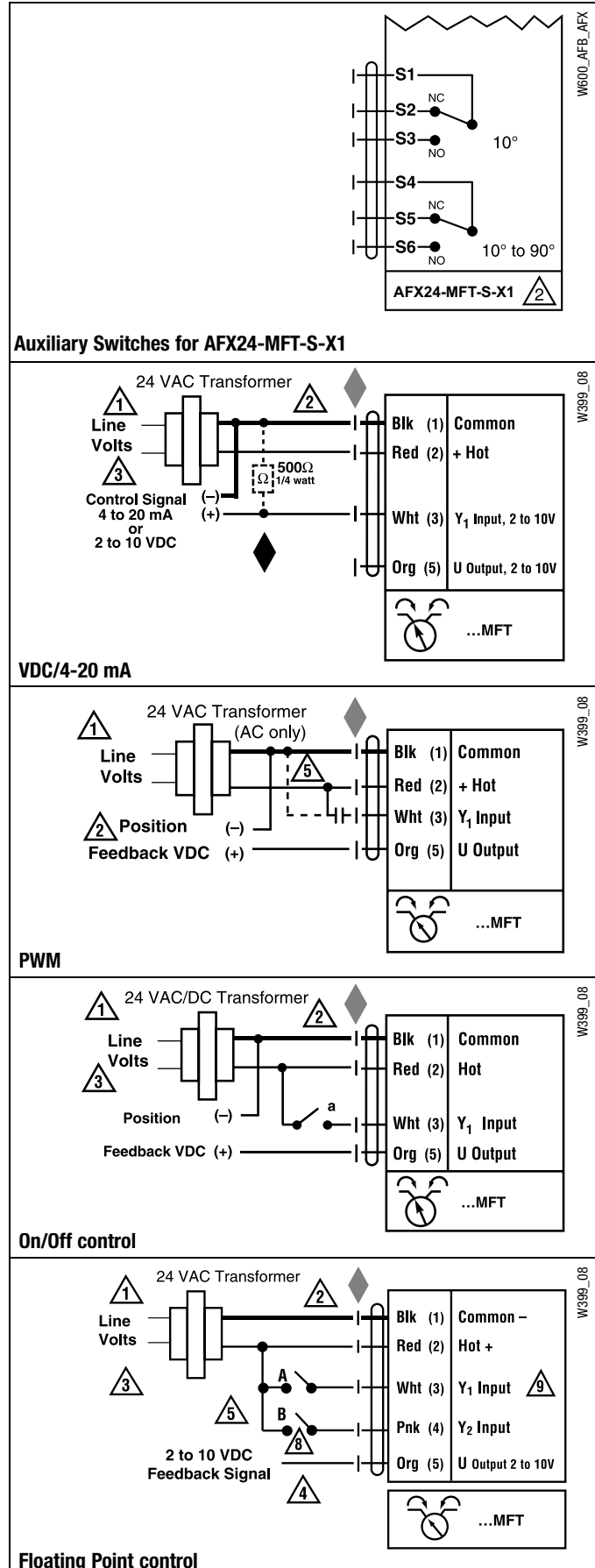
### INSTALLATION NOTES

- 1 Provide overload protection and disconnect as required.
- 2 **CAUTION Equipment Damage!**  
Actuators may be connected in parallel if not mechanically mounted to the same shaft. Power consumption and input impedance must be observed.
- 3 Actuators may also be powered by 24 VDC.
- 4 Position feedback cannot be used with Triac sink controller.
- 5 The actuator internal common reference is not compatible.
- 6 Control signal may be pulsed from either the Hot (source) or the Common (sink) 24 VAC line.
- 7 Contact closures A & B also can be triacs.
- 8 A & B should both be closed for triac source and open for triac sink.
- 9 For triac sink the common connection from the actuator must be connected to the hot connection of the controller.

### APPLICATION NOTES

- ◆ Meets UL requirements without the need of an electrical ground connection.
- ◆ The ZG-R01 500 Ω resistor may be used.

**WARNING Live Electrical Components!**  
During installation, testing, servicing and troubleshooting of this product, it may be necessary to work with live electrical components. Have a qualified licensed electrician or other individual who has been properly trained in handling live electrical components perform these tasks. Failure to follow all electrical safety precautions when exposed to live electrical components could result in death or serious injury.



### Wiring Diagrams for Multiple MFT Actuators

#### ✂️ INSTALLATION NOTES

- ⚠️ 3 Actuators may also be powered by 24 VDC
- ⚠️ 5 Actuators with plenum rated cable do not have numbers on wires; use color codes instead. Actuators with appliance cable are numbered.
- ⚠️ **WARNING Live Electrical Components!**  
During installation, testing, servicing and troubleshooting of this product, it may be necessary to work with live electrical components. Have a qualified licensed electrician or other individual who has been properly trained in handling live electrical components perform these tasks. Failure to follow all electrical safety precautions when exposed to live electrical components could result in death or serious injury.

Wiring multiple ...MFT actuators to a single shaft and/or on valves. All MFT actuators are wired in master-slave configuration.

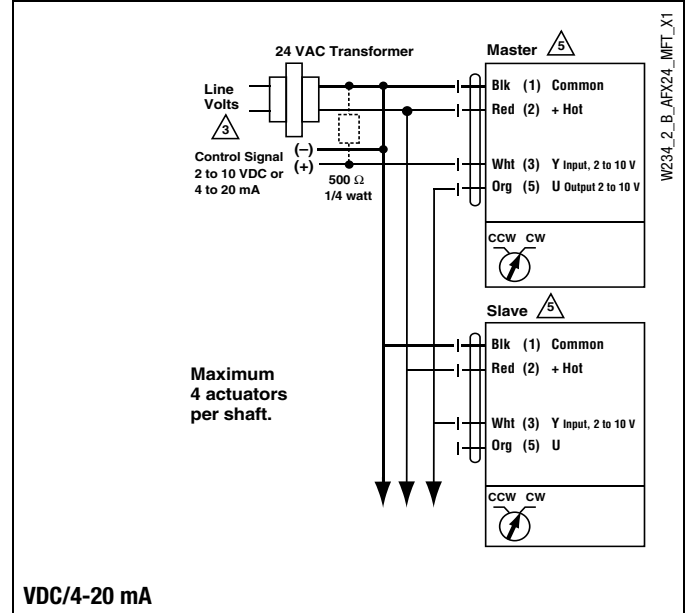
MFT actuator configurations should also coordinate with each other. Meaning the master input = controllers output. Master output = slave output. Slave output = controller input.

Example

Controller Output	Master Feedback	Slave Input	Slave Feedback
2 to 10 VDC	2 to 10 VDC	2 to 10 VDC	0 to 5 VDC

#### Multiple Actuators Mounted to one Control Shaft

Model	Max. Quantity Per Shaft	Torque Generated
AFX24-MFT(-S)-X1	4	720 in-lb



	Non-Spring Return				Spring Return					Electronic Fail-Safe
	NV	NVG	GM	2 x GM	NVF	AF	2x AF	AFX	2 x AFX	GK
<b>2-way ANSI 125</b>										
G665, G665S		62	113	150		36	59	51	82	113
G680, G680S		42	78	121		24	40	34	56	78
<b>2-way Pressure Comp</b>										
G665C, G665CS, G665LCS	150				150	150		150		
G680C, G680CS, G680LCS	150				136	150		150		
G6100C, G6100CS, G6100LCS			150				132		150	150
G6125C, G6125CS, G6125LCS			150				87		150	150
G6150C, G6150CS, G6150LCS			150				50		150	150
<b>2-way ANSI 250</b>										
G665-250, G665S-250		62	113	176		36	59	51	82	113
G680-250, G680S-250		42	78	121		24	40	34	56	78
<b>3-way ANSI 125 Mixing</b>										
G765, G765S		62	113	150		36	59	51	82	114
G780, G780S		42	78	121		24	40	34	56	78
G7100, G7100S			19	31					13	19
G7125, G7125S				19						
G7150, G7150S				13						
<b>3-way ANSI 250 Mixing</b>										
G765-250, G765S-250		62	113	176		35	58	40	114	114
G780-250, G780S-250		42	78	121		23	40	25	77	78
G7100-250, G7100S-250				31					24	19
G7125-250, G7125S-250				19						
G7150-250, G7150S-250				13						
<b>3-way ANSI 125/250 Diverting</b>										
G765D, G765DS, G765DS-250		100	100			100		100		100
G780D, G780DS, G780DS-250		100	100			100		100		100
G7100D, G7100DS, G7100DS-250		100	100			100		100		100
G7125D, G7125DS, G7125DS-250			100				100		100	100
G7150D, G7150DS, G7150DS-250			100				100		100	100

M40026 - 07/10 - Subject to change. © Belimo Aircontrols (USA), Inc.