

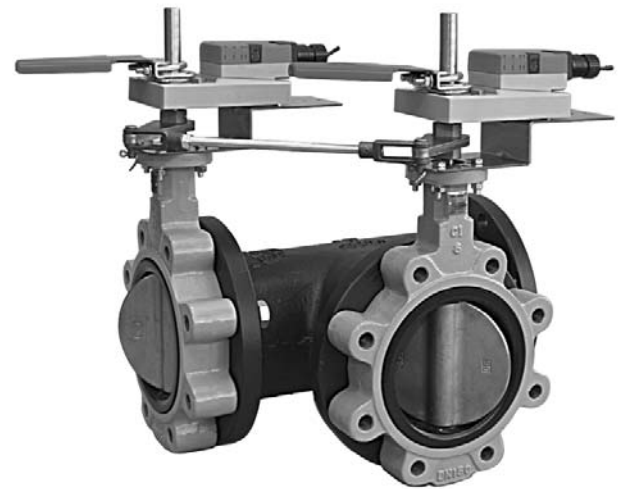
Contents

How to Select the Butterfly Retrofit Solution pg 83
 Butterfly Valve Retrofit Actuators pg 84

Solutions for Specific Manufacturer and Part Number

Apollo pg 86
 Belimo pg 87
 Bray pg 89
 Centerline pg 91
 Challenger pg 94
 Chemtrol pg 95
 Dezurik pg 96
 Flowseal pg 98
 FNW pg 99
 Gruvlok pg 100
 Hammond pg 102
 Jamesbury pg 103
 Jenkins pg 105
 Johnson Controls pg 106
 Keystone pg 107
 Keystone K-LOK pg 109
 Metraflex pg 111
 Milwaukee pg 112
 Mueller pg 114
 Nibco pg 115
 PDC pg 116
 Quartermaster pg 117
 Victaulic pg 118
 Watts pg 120

Custom Butterfly Valve Retrofit Solutions, Instructions pg 121
 Custom Butterfly Valve Retrofit Solution Form pg 122
 Component Identification pg 123
 UFLK/UFSP Retrofit Solution (2-Way Valves) pg 126
 SY...Series Butterfly Retrofit Solution (2-Way Valves) pg 128
 UFLK/UFSP Retrofit Solution (3-Way Valves) pg 133
 SY...Series Butterfly Retrofit Solution (3-Way Valves) pg 136
 Valve Accessories pg 144
 Custom Ball Valve Retrofit Solutions, Instructions pg 145
 Custom Ball Valve Retrofit Solutin Form pg 146
 Actuator/Valve Specification pg 149
 Terms and Conditions pg 153
 Platinum Distributors pg 155



Butterfly Valve:

UFLK Series **Linkage Solution**
 2-way Valves
 3-way Valves

Retrofit Solutions for Virtually any Valve

Manufacturers:

Butterfly: Bray, Centerline, Keystone, Flowseal and more

Control: On/Off, Floating, 2-10VDC
 Multi-Function Technology®
 Spring Return or
 Non-Spring Return

SY Series Actuators

Series	Model	Run Time(s) 90°@60Hz	Power Supply	Control			
				Proportional	3 Point	On/Off	Feedback
SY1	SY1-110	12 seconds	120 VAC ±10%, 50/60 Hz		•	•	none, opt 1k
	SY1-24	12 seconds	24 VAC ±10%, 50/60 Hz		•	•	none, opt 1k
	SY1-220	12 seconds	230 VAC ±10%, 50/60 Hz		•	•	none, opt 1k
	SY1-110P	12 seconds	120 VAC ±10%, 50/60 Hz	•			2-10 VDC/4-20 mA
	SY1-24P	12 seconds	24 VAC ±10%, 50/60 Hz	•			2-10 VDC/4-20 mA
	SY1-220P	12 seconds	230 VAC ±10%, 50/60 Hz	•			2-10 VDC/4-20 mA
SY2	SY2-110	15 seconds	120 VAC ±10%, 50/60 Hz		•	•	none, opt 1k
	SY2-24	15 seconds	24 VAC ±10%, 50/60 Hz		•	•	none, opt 1k
	SY2-220	15 seconds	230 VAC ±10%, 50/60 Hz		•	•	none, opt 1k
	SY2-120MFT	15 seconds	120 VAC ±10%, 50/60 Hz	•			2-10 VDC/4-20 mA
	SY2-24MFT	15 seconds	24 VAC ±10%, 50/60 Hz	•			2-10 VDC/4-20 mA
	SY2-230MFT	15 seconds	230 VAC ±10%, 50/60 Hz	•			2-10 VDC/4-20 mA
SY3	SY3-110	22 seconds	120 VAC ±10%, 50/60 Hz		•	•	none, opt 1k
	SY3-24	22 seconds	24 VAC ±10%, 50/60 Hz		•	•	none, opt 1k
	SY3-220	22 seconds	230 VAC ±10%, 50/60 Hz		•	•	none, opt 1k
	SY3-24MFT	22 seconds	120 VAC ±10%, 50/60 Hz	•			2-10 VDC/4-20 mA
	SY3-120MFT	22 seconds	120 VAC ±10%, 50/60 Hz	•			2-10 VDC/4-20 mA
	SY3-230MFT	22 seconds	230 VAC ±10%, 50/60 Hz	•			2-10 VDC/4-20 mA
SY4	SY4-110	16 seconds	120 VAC ±10%, 50/60 Hz		•	•	none, opt 1k
	SY4-24	16 seconds	24 VAC ±10%, 50/60 Hz		•	•	none, opt 1k
	SY4-220	16 seconds	230 VAC ±10%, 50/60 Hz		•	•	none, opt 1k
	SY4-24MFT	16 seconds	120 VAC ±10%, 50/60 Hz	•			2-10 VDC/4-20 mA
	SY4-120MFT	16 seconds	120 VAC ±10%, 50/60 Hz	•			2-10 VDC/4-20 mA
	SY4-230MFT	16 seconds	230 VAC ±10%, 50/60 Hz	•			2-10 VDC/4-20 mA
SY5	SY5-110	22 seconds	120 VAC ±10%, 50/60 Hz		•	•	none, opt 1k
	SY5-24	22 seconds	24 VAC ±10%, 50/60 Hz		•	•	none, opt 1k
	SY5-220	22 seconds	230 VAC ±10%, 50/60 Hz		•	•	none, opt 1k
	SY5-24MFT	22 seconds	120 VAC ±10%, 50/60 Hz	•			2-10 VDC/4-20 mA
	SY5-120MFT	22 seconds	120 VAC ±10%, 50/60 Hz	•			2-10 VDC/4-20 mA
	SY5-230MFT	22 seconds	230 VAC ±10%, 50/60 Hz	•			2-10 VDC/4-20 mA
SY6	SY6-110	28 seconds	120 VAC ±10%, 50/60 Hz		•	•	none, opt 1k
	SY6-220	28 seconds	230 VAC ±10%, 50/60 Hz		•	•	none, opt 1k
	SY6-120MFT	28 seconds	120 VAC ±10%, 50/60 Hz	•			2-10 VDC/4-20 mA
	SY6-230MFT	28 seconds	230 VAC ±10%, 50/60 Hz	•			2-10 VDC/4-20 mA
SY7	SY7-110	46 seconds	120 VAC ±10%, 50/60 Hz		•	•	none, opt 1k
	SY7-220	46 seconds	230 VAC ±10%, 50/60 Hz		•	•	none, opt 1k
	SY7-120MFT	46 seconds	120 VAC ±10%, 50/60 Hz	•			2-10 VDC/4-20 mA
	SY7-230MFT	46 seconds	230 VAC ±10%, 50/60 Hz	•			2-10 VDC/4-20 mA
SY8	SY8-110	46 seconds	120 VAC ±10%, 50/60 Hz		•	•	none, opt 1k
	SY8-220	46 seconds	230 VAC ±10%, 50/60 Hz		•	•	none, opt 1k
	SY8-120MFT	46 seconds	120 VAC ±10%, 50/60 Hz	•			2-10 VDC/4-20 mA
	SY8-230MFT	46 seconds	230 VAC ±10%, 50/60 Hz	•			2-10 VDC/4-20 mA

Proportional actuators will accept 0-10 VDC, 2-10 VDC, or 4-20 mA control signals as standard.
 All SY actuators are non-spring return, but can be used with NSV-SY back up systems for fail safe applications.
 These products carry a two year warranty when sold as part of an assembly or with a UFLK retrofit kit.

L30043 - 07/09 - SUBJECT TO CHANGE. © BELIMO AIRCONTROLS (USA), INC.

SY Series Actuators

Series	Model	Run Time(s) 90°@60Hz	Power Supply	Control			Feedback
				Proportional	3 Point	On/Off	
SY9	SY9-110	58 seconds	120 VAC ±10%, 50/60 Hz		•	•	none, opt 1k
	SY9-220	58 seconds	230 VAC ±10%, 50/60 Hz		•	•	none, opt 1k
	SY9-120MFT	58 seconds	120 VAC ±10%, 50/60 Hz	•			2-10 VDC/4-20 mA
	SY9-230MFT	58 seconds	230 VAC ±10%, 50/60 Hz	•			2-10 VDC/4-20 mA
SY10	SY10-110	58 seconds	120 VAC ±10%, 50/60 Hz		•	•	none, opt 1k
	SY10-220	58 seconds	230 VAC ±10%, 50/60 Hz		•	•	none, opt 1k
	SY10-120MFT	58 seconds	120 VAC ±10%, 50/60 Hz	•			2-10 VDC/4-20 mA
	SY10-230MFT	58 seconds	230 VAC ±10%, 50/60 Hz	•			2-10 VDC/4-20 mA
SY11	SY11-110	58 seconds	120 VAC ±10%, 50/60 Hz		•	•	none, opt 1k
	SY11-220	58 seconds	230 VAC ±10%, 50/60 Hz		•	•	none, opt 1k
	SY11-120MFT	58 seconds	120 VAC ±10%, 50/60 Hz	•			2-10 VDC/4-20 mA
	SY11-230MFT	58 seconds	230 VAC ±10%, 50/60 Hz	•			2-10 VDC/4-20 mA
SY12	SY12-110	58 seconds	120 VAC ±10%, 50/60 Hz		•	•	none, opt 1k
	SY12-220	58 seconds	230 VAC ±10%, 50/60 Hz		•	•	none, opt 1k
	SY12-120MFT	58 seconds	120 VAC ±10%, 50/60 Hz	•			2-10 VDC/4-20 mA
	SY12-230MFT	58 seconds	230 VAC ±10%, 50/60 Hz	•			2-10 VDC/4-20 mA

Proportional actuators will accept 0-10 VDC, 2-10 VDC, or 4-20 mA control signals as standard.

All SY actuators are non-spring return, but can be used with NSV-SY back up systems for fail safe applications.

These products carry a two year warranty when sold as part of an assembly or with a UFLK retrofit kit.

SY Multi-Function Technology

Description	P-CODE	Control Input	Built-in Feedback	Loss of Signal	Running Time
MFT	ACE	2...10V	2...10V	stop	actuator(s) constant
MFT	ACF	0.5...10V	0.5...10V	stop	actuator(s) constant
MFT	ACG	4...20mA	4...20mA	stop	actuator(s) constant
MFT	ACH	4...20mA	2...10V	stop	actuator(s) constant
MFT	ACJ	2...10V	2...10V	open	actuator(s) constant
MFT	ACK	0.5...10V	0.5...10V	open	actuator(s) constant
MFT	ACL	4...20mA	4...20mA	open	actuator(s) constant
MFT	ACM	4...20mA	2...10V	open	actuator(s) constant
MFT	ACN	2...10V	2...10V	close	actuator(s) constant
MFT	ACP	0.5...10V	0.5...10V	close	actuator(s) constant
MFT	ACR	4...20mA	4...20mA	close	actuator(s) constant
MFT	ACS	4...20mA	2...10V	close	actuator(s) constant

Rotary Actuators

Series	Model	Spring Return	Control Input	Feedback Position	Power Supply
AF Series*	AF24 US	•	24 VAC/DC		24 VAC/DC
	AF24-MFT US	•	Variable with MFT (VDC, PWM, Floating Pt., On/Off)	variable VDC	24 VAC/DC
AM Series*	AMB24-3X1		24 VAC/DC		24 VAC/DC
	AMB24-MFTX1		Variable with MFT (VDC, PWM, Floating Pt., On/Off)	variable VDC	24 VAC/DC
GM Series*	GMB24-3X1		24 VAC/DC		24 VAC/DC
	GMB24-MFTX1		Variable with MFT (VDC, PWM, Floating Pt., On/Off)	variable VDC	24 VAC/DC

*Please consult the Product Guide and Price List for a complete selection of Spring Return and Non-Spring Return Actuators of the listed series.

Standard run times should be considered in the selection.

Multi-Function Technology

ROTARY ACTUATOR CODES	Programming Codes		Control Input	Running Time	Built-in Feedback
		P-10001	A01	2-10 VDC	150 seconds
	P-10002	A02	0-10 VDC	150 seconds	0-10 VDC
	P-10028	A28	0-10 VDC	150 seconds	0-10 VDC
	P-10063	A63	0.5-4.5 VDC	150 seconds	0.5-4.5 VDC
	P-10064	A64	5.5-10 VDC	150 seconds	5.5-10 VDC
	P-20002	W02	0.02-5.00 seconds PWM	150 seconds	2-10 VDC
	P-20003	W03	0.10-25.5 seconds PWM	150 seconds	2-10 VDC
	P-30001	F01	Floating Pt.	150 seconds	2-10 VDC
	P-40002	J02	On/Off	150 seconds	2-10 VDC

2-way Valves

Actuator		Spring Return		Non-Spring Return				SY
		AF	2*AF	AM	GM	2*GM	2*GM	SY1
Linkage		UFLK3800	UFLK3802	UFLK3800	UFLK3800	UFLK3808	UFLK3808	UFLK3824
Size	Close-off psi							
2"	200	UFLK3800		UFLK3800				UFLK3824
2½"	200		UFLK3802	UFLK3800				UFLK3824
3"	200		UFLK3802		UFLK3800			UFLK3824
4"	200					UFLK3808		
5"	200						UFLK3808	

Actuator		SY						
		SY2	SY2	SY2	SY4	SY4	SY4	SY6
Linkage		UFLK3826	UFLK3828	UFLK3830	UFLK3832	UFLK3834	UFLK3836	UFLK3838
Size	Close-off psi							
2"	200	UFLK3826						
2½"	200	UFLK3826						
3"	200	UFLK3826						
4"	200		UFLK3828					
5"	200			UFLK3830				
6"	200				UFLK3832			
8"	200					UFLK3834		
10"	200						UFLK3836	
12"	200							UFLK3838

3-way Valves

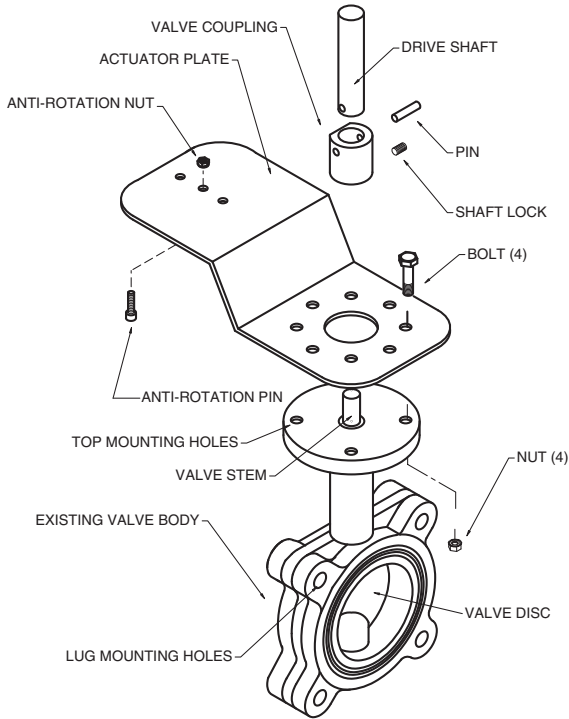
Actuator		Spring Return	Non-Spring Return			SY	
		2*AF	AM	GM	2*GM	SY1	SY2
Linkage		UFLK6802	UFLK6800	UFLK6800	UFLK6808	UFLK6824	UFLK6826
Size	Close-off psi						
2"	200	UFLK6802	UFLK6800			UFLK6824	UFLK6826
2½"	200			UFLK6800			UFLK6826
3"	200			UFLK6800			UFLK6826
4"	200				UFLK6808		

Actuator		SY					
		SY3	SY3	SY4	SY4	SY6	SY7
Linkage		UFLK6828	UFLK6830	UFLK6832	UFLK6834	UFLK6836	UFLK6838
Size	Close-off psi						
4"	200	UFLK6828					
5"	200		UFLK6830				
6"	200			UFLK6832			
8"	200				UFLK6834		
10"	200					UFLK6836	
12"	200						UFLK6838

L30043 - 07/09 - SUBJECT TO CHANGE. © BELIMO AIRCONTROLS (USA), INC.

2-way Single Actuator

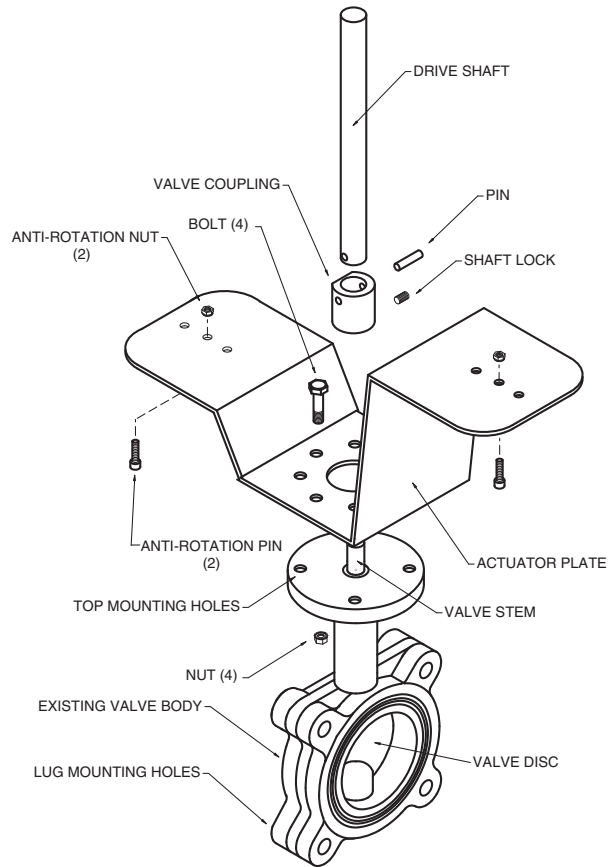
Generic – Must complete BFV Retrofit Form



UFSP0000

2-way Dual Actuator

Generic – Must complete BFV Retrofit Form

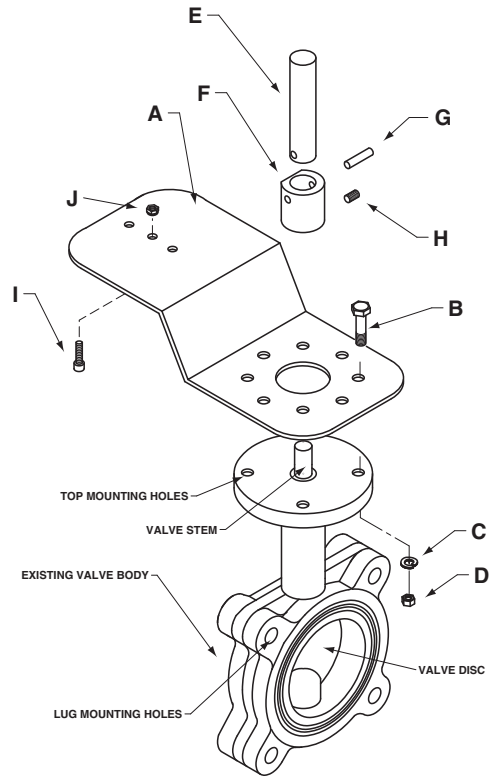


UFSP0008

Assembly Sequence for Existing Valves



The valve should be stripped down to its basic form, as shown. Remove all other linkage components before starting the assembly sequence below. The linkage components have been designed to attach to the valve in this state, rather than to any existing hardware.



Please refer to the above exploded view above when following the assembly procedure, to better identify which parts are being addressed in each step.

L-30043 - 07/09 - SUBJECT TO CHANGE. © BELIMO AIRCONTROLS (USA), INC.



Step 1) Assemble the actuator mounting bracket (A) to the top of the valve actuator mounting pad using the supplied bolts (B), lock washers (C) and nuts (D). The bracket does NOT need to be oriented on the valve body in any particular position, however, the bracket should not come into contact with pipes, conduit or walls.



Step 2) Once all four bolts, lock washers and nuts have been assembled onto the valve body, tighten securely.

UFLK/UFSP Series Butterfly Valve Retrofit Solution

Retrofitting 2-way Valves with Belimo Direct Coupled Actuator(s)



Assembly Sequence for Existing Valves



Step 3) Determine the position of the valve disc. Most manufacturers mark the TOP of the valve stem with a slot which indicates the disc angle. Slide the drive pin assembly, consisting of the drive shaft (E), the valve

shaft coupling (F), the mating pin (G), and the setscrew (H), over the valve shaft. It may be necessary to back out the set screw (H) a few turns to make sure there is clearance in the coupling pocket (bottom of (F) for the valve shaft. You will notice there is a flat on the outside diameter of (F). This flat should be parallel to the disc position when assembled correctly.



Step 4) Once the drive pin assembly has been seated onto the valve stem, tighten setscrew (H) to lock the assembly onto the valve shaft. The drive shaft (E) should be concentric and parallel with the valve shaft so there is no binding.

Any angular alignment MUST be corrected before moving on to the next step.



Step 5) Mark the TOP of the drive shaft to indicate the valve disc position. At this time, you should rotate the valve disc so that it is in the closed position. This will help facilitate proper attachment of the actuator.



Step 6) Assemble the actuator to the linkage by sliding the actuator shaft clamp over the kit drive shaft (E). The actuator anti-rotation pin (I) should already be positioned in the correct hole for the actuator, but it can be moved to

accommodate AM, GM or AF series actuators. Make sure the anti-rotation pin nut (J) is tight.



Step 7) Make sure the bottom of the actuator is PARALLEL to the mounting plate (A) when tightening the actuator clamp nuts. If this is not checked, it is possible that binding could cause erratic movement of the valve disc due to reduced torque transmission to the valve shaft.



Step 8) For AF series actuators, release the pre-load on the spring before tightening the clamp nuts, as the valve disc has already been positioned at the fully closed position. For fail open requirements, pre-wind the AF spring to full open position before

tightening the clamp nuts. When released, the spring will then OPEN the valve disc.

L30043 - 07/09 - SUBJECT TO CHANGE. © BELIMO AIRCONTROLS (USA), INC.



**SY-HOA...
Local Electric Disconnect**



NSV-SY...Battery Backup System



SY...Handwheel

SY-HOA-110	Local Electric Disconnect SY2-SY12 110V 2 Position
SY-HOA-110P	Local Electric Disconnect SY2-SY12 110V Proportional
SY-HOA-24	Local Electric Disconnect SY2-SY12 24V 2 Position
SY-HOA-24P	Local Electric Disconnect SY2-SY12 24V Proportional

SY-1000-FB01	1000 Ω Feedback Potentiometer SY2-12 2 Position
SY-1000-FB02	1000 Ω Feedback Potentiometer SY2-12 Proportional

NSV-SY-01	Battery Backup System for SY1-SY6 2 Position - 110 VAC
NSV-SY-02	Battery Backup System for SY1-SY6 Proportional - 110 VAC
NSV-SY-03	Battery Backup System for SY7 2 Position - 110 VAC
NSV-SY-04	Battery Backup System for SY7 Proportional - 110 VAC
NSV-SY-05	Battery Backup System for SY8-SY12 2 Position - 110 VAC
NSV-SY-06	Battery Backup System for SY8-SY12 Proportional - 110 VAC
NSV-SY-11	Battery Backup System for SY1-SY5 2 Position - 24 VAC
NSV-SY-12	Battery Backup System for SY1-SY5 Proportional - 24 VAC
NSV-SY-21	Battery Backup System for SY1-SY6 2 Position - 220 VAC
NSV-SY-22	Battery Backup System for SY1-SY6 Proportional - 220 VAC
NSV-SY-23	Battery Backup System for SY7-SY9 2 Position - 220 VAC
NSV-SY-24	Battery Backup System for SY7-SY9 Proportional - 220 VAC
NSV-SY-25	Battery Backup System for SY10-SY12 2 Position - 220 VAC
NSV-SY-26	Battery Backup System for SY10-SY12 Proportional - 220 VAC

ZG-SY23	SY2-3 Handwheel (replacement only)
ZG-SY46	SY4-6 Handwheel (replacement only)
ZG-SY78	SY7-8 Handwheel (replacement only)
ZG-SY912	SY9-12 Handwheel (replacement only)

L-30043 - 07/09 - SUBJECT TO CHANGE. © BELIMO AIRCONTROLS (USA), INC.