

Contents

How to Select the Butterfly Retrofit Solution pg 127
 Butterfly Valve Retrofit Actuators..... pg 128

Solutions for Specific Manufacturer and Part Number

Apollo..... pg 130
 Belimo..... pg 131
 Bray pg 133
 Centerline pg 135
 Challenger pg 138
 Chemtrol..... pg 139
 Dezurik pg 140
 Flowseal pg 141
 FNW pg 142
 Gruvlok..... pg 143
 Hammond..... pg 145
 Jamesbury..... pg 146
 Jenkins pg 147
 Johnson Controls pg 148
 Keystone..... pg 149
 Keystone K-LOK..... pg 149
 Metraflex..... pg 152
 Milwaukee..... pg 153
 Mueller..... pg 155
 Nibco pg 156
 PDC..... pg 157
 Quartermaster pg 158
 Victaulic pg 159
 Watts pg 161

Custom Butterfly Valve Retrofit Solutions, Instructions pg 162
 Custom Butterfly Valve Retrofit Solution Form pg 163
 Component Identification..... pg 164
 UFLK/UFSP Retrofit Solution (2-Way Valves)..... pg 167
 SY...Series Butterfly Retrofit Solution (2-Way Valves)..... pg 169
 UFLK/UFSP Retrofit Solution (3-Way Valves)..... pg 174
 SY...Series Butterfly Retrofit Solution (3-Way Valves)..... pg 177
 Valve Accessories pg 185
 Custom Ball Valve Retrofit Solution, Instructions pg 186
 Custom Ball Valve Retrofit Solution Form pg 187
 Custom Ball Valve Retrofit Solution, Dimensions..... pg 189
 Actuator/Valve Specification pg 199
 Terms and Conditions pg 203
 Platinum Distributors pg 205



Butterfly Valve:
UFLK Series **Linkage Solution**
 2-way Valves
 3-way Valves

Retrofit Solutions for Virtually any Valve

Manufacturers:

Butterfly: Bray, Centerline, Keystone, Flowseal and more

Control: On/Off, Floating, 2-10VDC
 Multi-Function Technology®
 Spring Return or
 Non-Spring Return

M40045 - 10/10 - SUBJECT TO CHANGE. © BELIMO AIRCONTROLS (USA), INC.

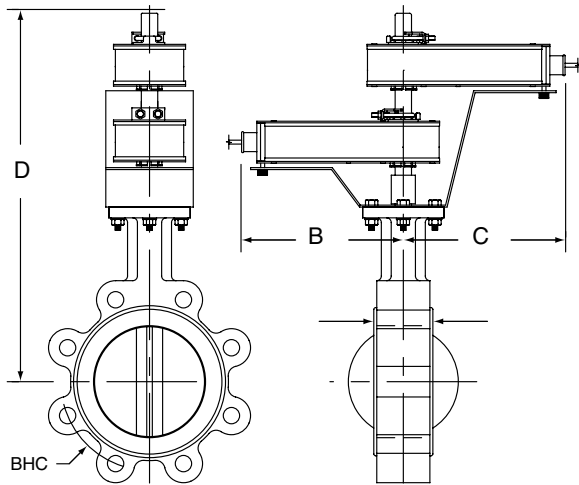


Butterfly Valve Retrofit

Tips for choosing a butterfly valve retrofit solution

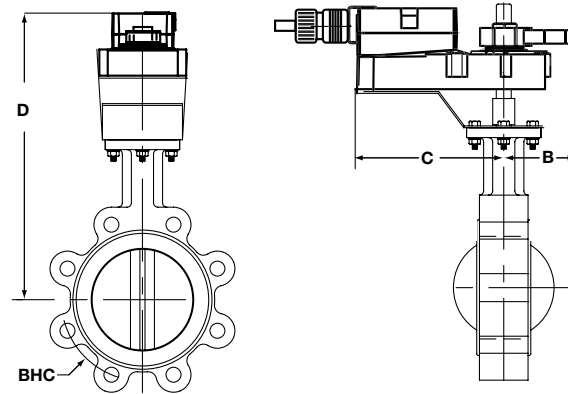


Dimensions with 2-Way Valve



BF2WUDIM

Dimensions with 2-Way Valve



AM_GM_LineRevised

Maximum Dimensions (Inches)

Size	B	C	D(Max)	Actuator
2"	9	9	19.5	AF
2"	7	7	15	AMB(X)
2"	4.25	4.25	15.5	SY1...
2"	8	13	20.25	SY2...
2½"	9	9	20	AF
2½"	9	9	20	2*AF
2½"	7	7	15.5	AMB(X)
2½"	4.25	4.25	16	SY1...
2½"	8	13	20.75	SY2...
3"	7	7	16	AMB(X)
3"	8	8	16	GMB(X)
3"	9	9	20.5	2*AF
3"	4.25	4.25	16.25	SY1...
3"	8	13	21	SY2...
4"	8	8	17	GMB(X)
4"	9	9	21	2*AF
4"	8	8	21	2*GMB(X)
4"	8	13	21.75	SY2...
5"	8	8	17.5	GMB(X)
5"	9	9	22	2*AF
5"	8	13	22.25	SY2...
6"	8	8	22.5	GMB(X)
6"	8	13	23	SY2...
6"	8	13	22.75	SY3...
8"	8	13	24.25	SY3...
8"	12	15	29	SY4...
10"	8	13	25.5	SY3...
10"	12	15	30	SY4...
12"	8	13	27.25	SY3...
12"	12	15	32	SY4...
14"	12	15	33	SY5...
16"	12	15	34.5	SY6...
18"	14	21	39.25	SY8...
20"	14	21	41.5	SY8...
24"	14	22	53.25	SY11...
30"	14	22	57.5	SY12...

Application Notes

1. Dimensions are approximate
2. Custom kits may be taller and varies by application needs
3. Dimension "D" allows for actuator removal without the need to remove the valve from the pipe.
4. Dual actuated valves have single actuators mounted on each valve shaft.

M40045 - 10/10 - SUBJECT TO CHANGE. © BELIMO AIRCONTROLS (USA), INC.

Butterfly Valve Retrofit Actuators

Actuator Selection Guide



SY Series Actuators

SERIES	MODEL	TORQUE	RUN TIME(S) 90°@60Hz	POWER SUPPLY	DUTY CYCLE	CONTROL			FEEDBACK
						PROPORTIONAL	3 POINT	ON/OFF	
SY9	SY9-110	2000 Nm / 17800 in-lb	58 seconds	120 VAC ±10%, 50/60 Hz	30%		•	•	none, opt 1k
	SY9-220	2000 Nm / 17800 in-lb	58 seconds	230 VAC ±10%, 50/60 Hz	30%		•	•	none, opt 1k
	SY9-120MFT	2000 Nm / 17800 in-lb	58 seconds	120 VAC ±10%, 50/60 Hz	75%	•			2-10 VDC/4-20 mA
	SY9-230MFT	2000 Nm / 17800 in-lb	58 seconds	230 VAC ±10%, 50/60 Hz	75%	•			2-10 VDC/4-20 mA
SY10	SY10-110	2500 Nm / 22250 in-lb	58 seconds	120 VAC ±10%, 50/60 Hz	30%		•	•	none, opt 1k
	SY10-220	2500 Nm / 22250 in-lb	58 seconds	230 VAC ±10%, 50/60 Hz	30%		•	•	none, opt 1k
	SY10-120MFT	2500 Nm / 22250 in-lb	58 seconds	120 VAC ±10%, 50/60 Hz	75%	•			2-10 VDC/4-20 mA
	SY10-230MFT	2500 Nm / 22250 in-lb	58 seconds	230 VAC ±10%, 50/60 Hz	75%	•			2-10 VDC/4-20 mA
SY11	SY11-110	3000 Nm / 26700 in-lb	58 seconds	120 VAC ±10%, 50/60 Hz	30%		•	•	none, opt 1k
	SY11-220	3000 Nm / 26700 in-lb	58 seconds	230 VAC ±10%, 50/60 Hz	30%		•	•	none, opt 1k
	SY11-120MFT	3000 Nm / 26700 in-lb	58 seconds	120 VAC ±10%, 50/60 Hz	75%	•			2-10 VDC/4-20 mA
	SY11-230MFT	3000 Nm / 26700 in-lb	58 seconds	230 VAC ±10%, 50/60 Hz	75%	•			2-10 VDC/4-20 mA
SY12	SY12-110	3500 Nm / 31150 in-lb	58 seconds	120 VAC ±10%, 50/60 Hz	30%		•	•	none, opt 1k
	SY12-220	3500 Nm / 31150 in-lb	58 seconds	230 VAC ±10%, 50/60 Hz	30%		•	•	none, opt 1k
	SY12-120MFT	3500 Nm / 31150 in-lb	58 seconds	120 VAC ±10%, 50/60 Hz	75%	•			2-10 VDC/4-20 mA
	SY12-230MFT	3500 Nm / 31150 in-lb	58 seconds	230 VAC ±10%, 50/60 Hz	75%	•			2-10 VDC/4-20 mA

Proportional actuators will accept 0-10 VDC, 2-10 VDC, or 4-20 mA control signals as standard.

All SY actuators are non-spring return, but can be used with NSV-SY back up systems for fail-safe applications.

These products carry a two year warranty when sold as part of an assembly or with a UFLK retrofit kit.

ROTARY ACTUATORS

SERIES	MODEL	Spring Return	Electronic Fail Safe	Control Input	Feedback Position	Power Supply
AF Series*	AF24 US, AFB24	•		24 VAC/DC		24 VAC/DC
	AFX24-MFT-X1	•		Variable with MFT (VDC, PWM, Floating Pt., On/Off)	variable VDC	24 VAC/DC
AM Series*	AMB24-3-X1			24 VAC/DC		24 VAC/DC
	AMX24-MFT-X1			Variable with MFT (VDC, PWM, Floating Pt., On/Off)	variable VDC	24 VAC/DC
GM Series*	GMB24-3-X1			24 VAC/DC		24 VAC/DC
	GMX24-MFT-X1			Variable with MFT (VDC, PWM, Floating Pt., On/Off)	variable VDC	24 VAC/DC
GK Series*	GKB24-3-X1		•	24 VAC/DC		24 VAC/DC
	GKX24-MFT-X1		•	Variable with MFT (VDC, PWM, Floating Pt., On/Off)	variable VDC	24 VAC/DC

*Please consult the Damper sections for a full list of product offerings. Standard run times should be considered in the selection. All air side products are applicable for retrofit kits.

Select "X1" actuators come with a handle.

MULTI-FUNCTION TECHNOLOGY

ROTARY ACTUATOR CODES	P-CODE		Control Input	Running Time	Built-in Feedback
	P-10001	A01	2-10 VDC	150 seconds	2-10 VDC
	P-10002	A02	0-10 VDC	150 seconds	0-10 VDC
	P-10028	A28	0-10 VDC	150 seconds	0-10 VDC
	P-10063	A63	0.5-4.5 VDC	150 seconds	0.5-4.5 VDC
	P-10064	A64	5.5-10 VDC	150 seconds	5.5-10 VDC
	P-20002	W02	0.02-5.00 seconds PWM	150 seconds	2-10 VDC
	P-20003	W03	0.10-25.5 seconds PWM	150 seconds	2-10 VDC
	P-30001	F01	Floating Pt.	150 seconds	2-10 VDC
	P-40002	J02	On/Off	150 seconds	2-10 VDC

SY MULTI-FUNCTION TECHNOLOGY

Description	MFT-CODE	Control Input	Built-in Feedback	Loss of Signal	Running Time
MFT	ACE	2...10V	2...10V	stop	actuator(s) constant
MFT	ACF	0.5...10V	0.5...10V	stop	actuator(s) constant
MFT	ACG	4...20mA	4...20mA	stop	actuator(s) constant
MFT	ACH	4...20mA	2...10V	stop	actuator(s) constant
MFT	ACJ	2...10V	2...10V	open	actuator(s) constant
MFT	ACK	0.5...10V	0.5...10V	open	actuator(s) constant
MFT	ACL	4...20mA	4...20mA	open	actuator(s) constant
MFT	ACM	4...20mA	2...10V	open	actuator(s) constant
MFT	ACN	2...10V	2...10V	close	actuator(s) constant
MFT	ACP	0.5...10V	0.5...10V	close	actuator(s) constant
MFT	ACR	4...20mA	4...20mA	close	actuator(s) constant
MFT	ACS	4...20mA	2...10V	close	actuator(s) constant

All other configurations carry a \$34.00 list price.

Standard delivery may vary, please consult your customer service representative for the latest lead time(s).

800-543-9038 USA

866-805-7089 CANADA

203-791-8396 LATIN AMERICA



LD1/WD1 Series Butterfly Valves (14" to 24" Valves Exclusively)
LD2/WD2 Series Butterfly Valves (2" to 12" Valves Exclusively)
Linkage/Actuator Selection Guide

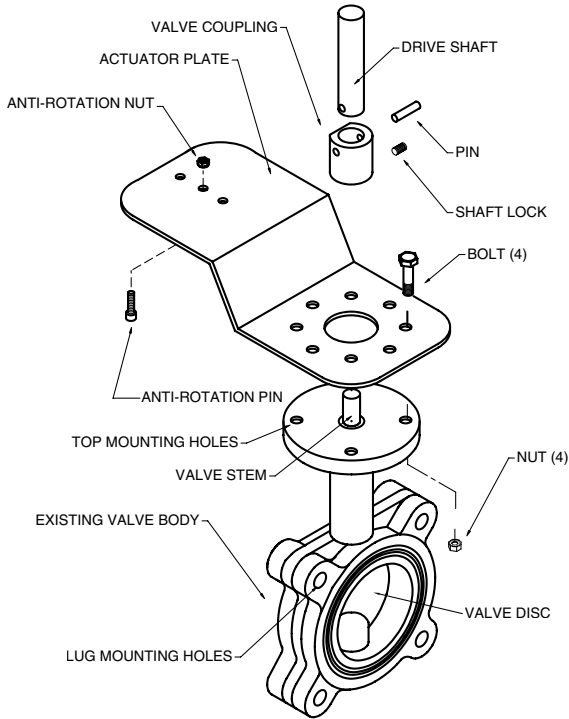
Valve Body Model	Valve Configuration	Size	Failsafe	Close-Off psi	Belimo Actuator Series (Sold Separately)	Belimo Linkage				
LD1/WD1 Series Butterfly Valves	2-way	14"	No	150	SY7	UFLK2960				
		16"	No	150	SY8	UFLK2968				
		18"	No	150	SY8	UFLK2962				
		20"	No	150	SY9	UFLK2964				
		24"	No	150	SY11	UFLK2966				
	3-way	14"	No	150	SY8	UFLK5956				
		16"	No	150	SY9	UFLK5958				
		18"	No	150	SY10	UFLK5960				
		20"	No	150	SY12	UFLK5962				
		LD2/WD2, LD3 Series Butterfly Valves	2-way	2"	No	150	GM	UFLK2900		
SY1	UFLK2942									
SY2	UFLK2946									
Yes	150	2*AF			UFLK2902					
GK		UFLK2900								
2½"		No		150	GM	UFLK2908				
		SY1			UFLK2944					
	SY2	UFLK2948								
	Yes	150			2*AF	UFLK2910				
GK	UFLK2908									
3"	No			150	2*GM	UFLK2910				
	SY2				UFLK2948					
	Yes	150			2*GK	UFLK2910				
	2*GM				UFLK2916					
4"	No			150	2*GM	UFLK2916				
	SY2				UFLK2950					
	Yes	150			2*GK	UFLK2916				
	SY3				UFLK2952					
5"	No			150	SY3	UFLK2952				
	6"				No	150	SY4	UFLK2954		
		8"			No		150	SY4	UFLK2954	
					10"			No	150	SY4
12"				No				150		SY6
	3-way			2"		No				150
		SY2				UFLK5942				
		2½"		Yes	150	2*AF	UFLK5902			
GK				UFLK5900						
3"	No	150		2*GM	UFLK5910					
	SY2		UFLK5944							
4"	Yes	150	2*GK	UFLK5910						
	2*GM		UFLK5910							
5"	No	150	2*GM	UFLK5910						
	SY2		UFLK5944							
6"	No	150	2*GK	UFLK5910						
	SY3		UFLK5946							
8"	No	150	SY3	UFLK5946						
	SY4		UFLK5948							
10"	No	150	SY4	UFLK5948						
	SY6		UFLK5950							
12"	No	150	SY6	UFLK5952						
	No		150	SY8	UFLK5954					

All close-off pressures listed are approximate and based on valve condition and application.

M40045 - 10/10 - Subject to change. © Belimo Aircontrols (USA), Inc.

2-way Single Actuator

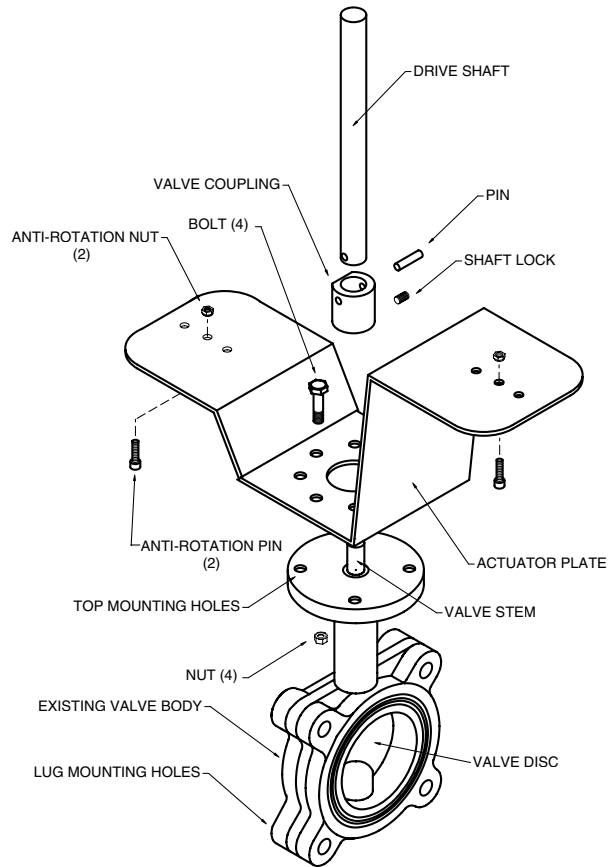
Generic – Must complete BFV Retrofit Form



UFSP0000

2-way Dual Actuator

Generic – Must complete BFV Retrofit Form



UFSP0008

M40045 - 10/10 - SUBJECT TO CHANGE. © BELIMO AIRCONTROLS (USA), INC.

UFLK/UFSP Series Butterfly Valve Retrofit Solution

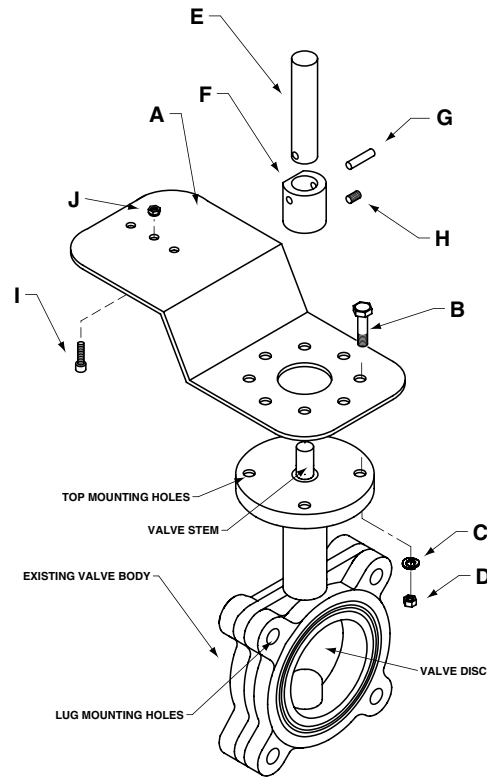
Retrofitting 2-way Valves with Belimo Direct Coupled Actuator(s)



Assembly Sequence for Existing Valves



The valve should be stripped down to its basic form, as shown. Remove all other linkage components before starting the assembly sequence below. The linkage components have been designed to attach to the valve in this state, rather than to any existing hardware.



Please refer to the above exploded view above when following the assembly procedure, to better identify which parts are being addressed in each step.



Step 1) Assemble the actuator mounting bracket (A) to the top of the valve actuator mounting pad using the supplied bolts (B), lock washers (C) and nuts (D). The bracket does NOT need to be oriented on the valve body in any particular position, however, the bracket should not come into contact with pipes, conduit or walls.

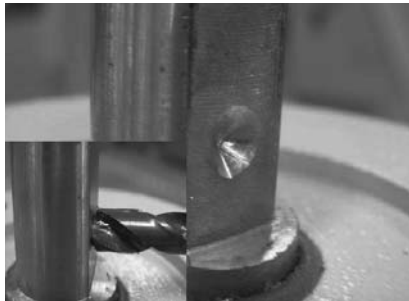


Step 2) Once all four bolts, lock washers and nuts have been assembled onto the valve body, tighten securely.

M40045 - 10/10 - SUBJECT TO CHANGE. © BELIMO AIRCONTROLS (USA), INC.



Step 3) Determine the position of the valve disc. Most manufacturers mark the TOP of the valve stem with a slot which indicates the disc angle. Slide the drive pin assembly, consisting of the drive shaft (E), the valve shaft coupling (F), the mating pin (G), and the setscrew (H), over the valve shaft. It may be necessary to back out the set screw (H) a few turns to make sure there is clearance in the coupling pocket (bottom of (F) for the valve shaft. You will notice there is a flat on the outside diameter of (F). This flat should be parallel to the disc position when assembled correctly.



Note: Belimo recommends drilling a pilot hole into the shaft. This will ensure the set screw (H) sits flat. Failure to do this may result in the coupler (F) slipping over time.



Step 4) Once the drive pin assembly has been seated onto the valve stem, tighten setscrew (H) to lock the assembly onto the valve shaft. The drive shaft (E) should be concentric and parallel with the valve shaft so there is no binding.

Any angular alignment MUST be corrected before moving on to the next step.

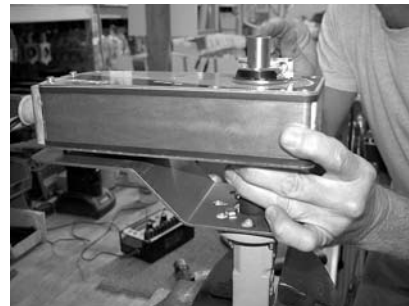


Step 5) Mark the TOP of the drive shaft to indicate the valve disc position. At this time, you should rotate the valve disc so that it is in the closed position. This will help facilitate proper attachment of the actuator.



Step 6) Assemble the actuator to the linkage by sliding the actuator shaft clamp over the kit drive shaft (E). The actuator anti-rotation pin (I) should already be positioned in the correct hole for the actuator, but it can be moved to

accommodate AM, GM or AF series actuators. Make sure the anti-rotation pin nut (J) is tight.



Step 7) Make sure the bottom of the actuator is PARALLEL to the mounting plate (A) when tightening the actuator clamp nuts. If this is not checked, it is possible that binding could cause erratic movement of the valve

disc due to reduced torque transmission to the valve shaft.



Step 8) For AF series actuators, release the pre-load on the spring before tightening the clamp nuts, as the valve disc has already been positioned at the fully closed position. For fail open requirements, pre-wind the AF spring to full open position before

tightening the clamp nuts. When released, the spring will then OPEN the valve disc.